



**IGP-0432**

**Industrial PoE Gigabit Switch Manual**

**Package Contents**

- IGP-0432
- User Manual

## CE Marking Warning

CE marking is a certification mark that indicates conformity with health, safety, and environmental protection standards for products sold within the European Economic Area (EEA). The CE marking is also found on products sold outside the EEA that have been manufactured to EEA standards. This makes the CE marking recognizable worldwide even to people who are not familiar with the European Economic Area.

## WEEE

WEEE is waste electrical and electronic equipment. It is end-of-life electrical and electronic equipment and covers virtually everything with a plug or battery. ... The EC introduced the WEEE Directive in 2002 to address the environmental impacts of unwanted electrical and electronic equipment at end-of-life disposal.

## FCC Certifications

This Equipment has been tested and found to comply with the limits for a Class B digital device, pursuant to part 15 of the FCC Rules. These limits are designed to provide reasonable protection against harmful interference when the equipment is operated in a commercial environment. This equipment generates, uses, and can radiate radio frequency energy and, if not installed and used in accordance with the instruction manual, may cause harmful interference to radio communications. Operation of this equipment in a residential area is likely to cause harmful interference in which case the user will be required to correct the interference at his own expense.

This device complies with Part 15 of the FCC Rules. Operation is subject to the following two conditions: (1) this device may not cause harmful interference, and (2) this device must accept any interference received; including interference that may cause undesired operation.



# IGP-0432

## 4-Port Gigabit PoE Industrial Switch, DIN-Rail, -40°C to 75°C

### ❖ Overview

The IGP-0432 is a 4-port industrial full gigabit PoE switch that supports up to 2 \*10/100/1000M 90W high power PoE ports and 2\*1000M SFP ports.

Fiber ports provides 2 modes through the dip switch, 100M mode and 1000M mode to adapt variety needs.

It supports the PoE Auto-check function, which is specially designed to solve the problems of equipment frozen. It can automatically detect the frozen PD equipment and restart the ports' output of PSE, and restart the PD device. It greatly reduces the maintenance difficulty of engineering.

It has the characteristics of reliable work, strong and durable, high cost performance and so on. It can be used in security network video monitoring system, network engineering and other occasions.

### ❖ Picture



## ❖ Features

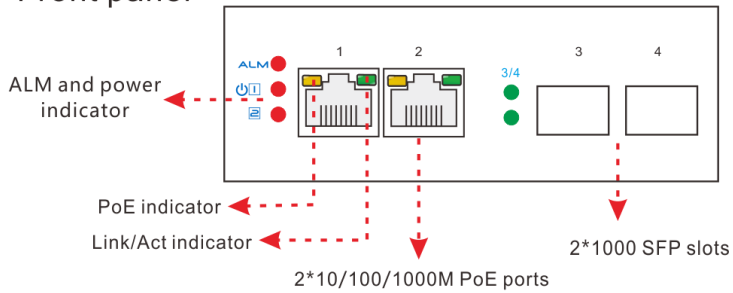
- ❖ With 2\*10/100/1000M PoE ports and 2\*1000M SFP ports;
- ❖ Provides 2 high power PoE ports, up to 30W single port;
- ❖ Fiber ports provides 2 modes through the dip switch, 100M mode and 1000M mode to adapt to variety needs;
- ❖ Supports relay alarm for power off, network broken and PoE off;
- ❖ Supports PoE Auto-check function, which is specially designed to solve the problems of equipment frozen. It can automatically detect the frozen PD equipment and restart the ports' output of PSE, and restart the PD device. It greatly reduces the maintenance difficulty of engineering;
- ❖ Supports 6KV surge protection, 6KV contact / 8KV air ESD protection;
- ❖ Supports working temperature -40°C~75°C.

## ❖ Specifications

Parameter	Specifications
Power supply	Powered by power adaptor
Range of voltage	DC 48~57V
Consumption	Self consumption<5W
Downlink ports	Ports 1~2 10/100/1000Base-T 30W PoE RJ45
Uplink ports	Ports 3~4 supports 2 modes of 100Base-FX and 1000Base-X
PoE Auto-check	If detect the frozen PD device, restart it
Working mode of fiber ports	It can be selected 100M or 1000M work mode by dip switch
Relay alarm	1 channel relay alarm output for power off, ports PoE off, ports link down
Cable and distance	Use cat5e/6,100m max
Standard	IEEE802.3, IEEE802.3u, IEEE802.3z
Switch fabric	8 Gbps
Through put	5.95 Mpps
Buffer	1M
MAC address table	8K
Indicator	Power: 2 *red ; Uplink3~4: Green LEDs indicate Link/Act Downlink 1~2: Yellow LED indicate PoE, green LEDs indicate Link/Act
Protection	Surge: 6KV, standard: IEC61000-4-5 ESD: 6KV: contact / 8KV: air, standard:IEC61000-4-2
Working temperature	-40°C~75°C
Storage temperature	-40°C~85°C
Humidity	0~95%(No condensation)
Dimension(L×W×H)	101 mm×65 mm×36mm
Material	Aluminium alloy
Colour	Black
Net-weight	300g

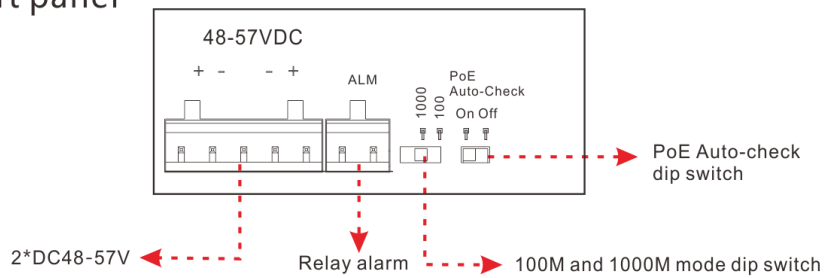
## ❖ Panel diagram

### ● Front panel



⚠ Attention 1: This product must be well grounded against lightning, please use better than 20# cable to connect the grounding terminal and ground.

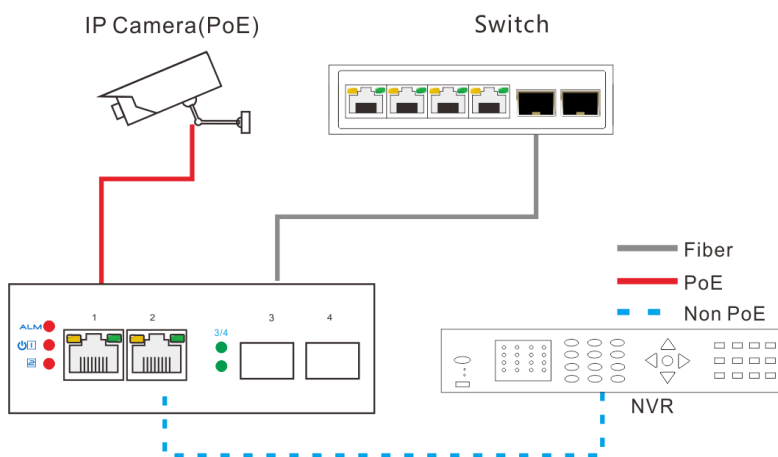
### ● Left panel



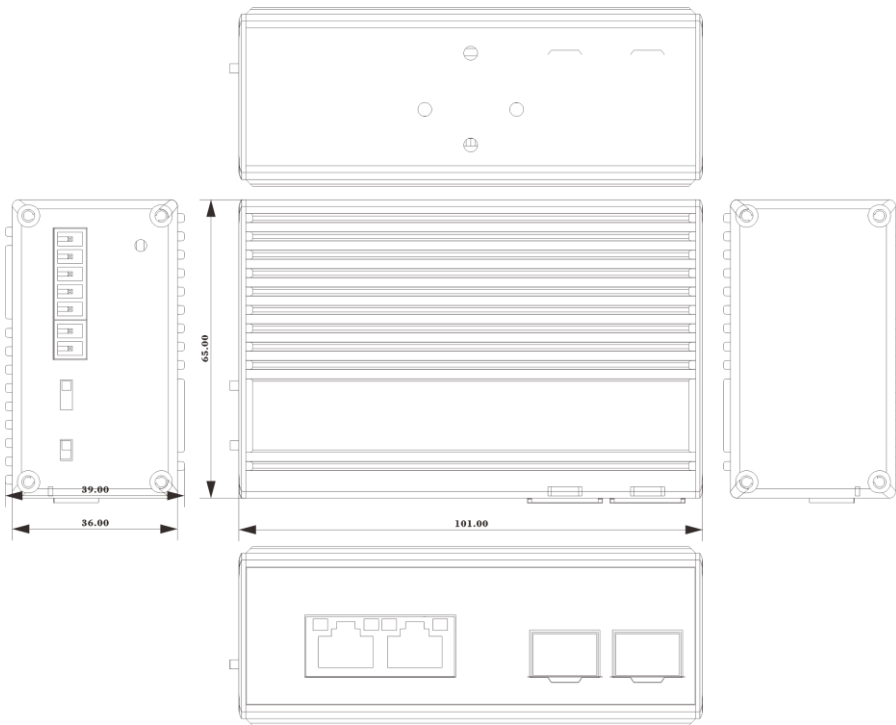
⚠ Attention 2: 100M and 1000M modes: It can be selected by dip switch.

⚠ Attention 3: PoE Auto-check: PoE Auto-check function is open/closed by dip switch. The switch always auto detect 1~2 ports whether frozen, if some ports are frozen, the switch will restart them, but other ports are unaffected.

## ❖ Application



## ❖ Dimensions



## ❖ Order information

Model	Description
IGP-0432	With 2*10/100/1000M 90W PoE downlink ports and 2*1000M SFP ports; 2*DC48-57V power supply(Power adaptor buy extra); Fiber ports provides 2 modes through the dip switch, 100M mode and 1000M mode to adapt to variety needs; Supports relay alarm function for power off, network broken and PoE off; Supports the PoE Auto-check function.