



User Manual

IGP-1031

10-Port Industrial PoE Gigabit Switch Manual

Package Contents

- IGP-1031
- User Manual

CE Marking Warning

CE marking is a certification mark that indicates conformity with health, safety, and environmental protection standards for products sold within the European Economic Area (EEA). The CE marking is also found on products sold outside the EEA that have been manufactured to EEA standards. This makes the CE marking recognizable worldwide even to people who are not familiar with the European Economic Area.

WEEE

WEEE is waste electrical and electronic equipment. It is end-of-life electrical and electronic equipment and covers virtually everything with a plug or battery. ... The EC introduced the WEEE Directive in 2002 to address the environmental impacts of unwanted electrical and electronic equipment at end-of-life disposal.

FCC Certifications

This Equipment has been tested and found to comply with the limits for a Class B digital device, pursuant to part 15 of the FCC Rules. These limits are designed to provide reasonable protection against harmful interference when the equipment is operated in a commercial environment. This equipment generates, uses, and can radiate radio frequency energy and, if not installed and used in accordance with the instruction manual, may cause harmful interference to radio communications. Operation of this equipment in a residential area is likely to cause harmful interference in which case the user will be required to correct the interference at his own expense.

This device complies with Part 15 of the FCC Rules. Operation is subject to the following two conditions: (1) this device may not cause harmful interference, and (2) this device must accept any interference received; including interference that may cause undesired operation.



IGP-1031

10-Port Gigabit PoE Industrial Switch, DIN-Rail, -40°C to 75°C

❖ Overview

IGP-1031 is a 10-port full gigabit industrial unmanaged PoE switch that supports up to 8*10/100/1000M PoE ports, 2* 1000M SFP ports. 8*10/100/1000M ports support PoE+, conforming to IEEE 802.3af/at standard.

IGP-1031 provides two modes of Default and VLAN to adapt to various complex environments. At the same time, support PoE Auto-check function, which is specially designed to solve the problems of equipment frozen. It can automatically detect the frozen PD equipment and restart the ports' output of PSE, and restart the PD device. It greatly reduces the maintenance difficulty of engineering.

IGP-1031 has a high anti-interference ability, the product supports 6KV surge protection, 8KV contact /15KV air ESD protection.

IGP-1031 supports wall hanging, desktop and Din-rail installation, reliable and durable, and can be used in security network video monitoring, network engineering and other occasions.

❖ Picture



❖ Features

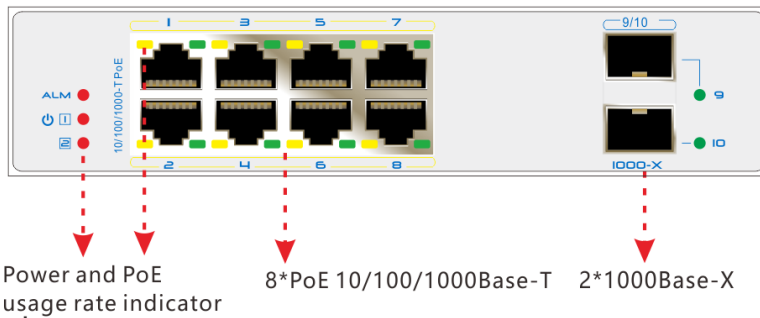
- ❖ With 8*10/100/1000M PoE downlink ports,2*1000M SFP ports;
- ❖ Provides two modes of Default and VLAN to adapt to various complex environments;
- ❖ Supports PoE Auto-check function, which is specially designed to solve the problems of equipment frozen. It can automatically detect the frozen PD equipment and restart the ports' output of PSE, and restart the PD device. It greatly reduces the maintenance difficulty of engineering;
- ❖ Supports relay alarm for power off, network broken, PoE off ;
- ❖ 6KV surge protection, 8KV contact /15KV air ESD protection;
- ❖ Supports working temperature -40℃ ~75℃.

❖ Specifications

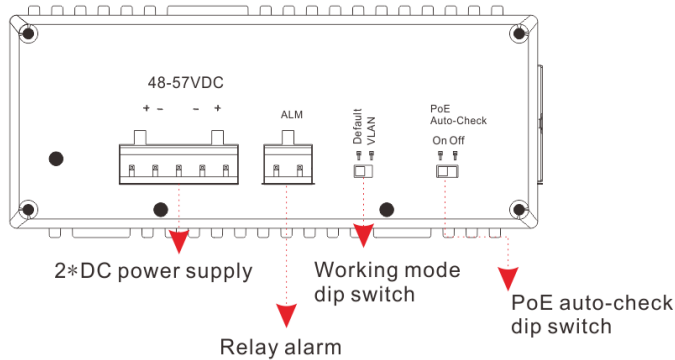
Parameter	Specifications
Power supply	Powered by power adaptor
Range of voltage	DC 48~57V
Consumption	Self consumption<15W
Downlink ports	Ports 1~8 10/100/1000Base-T PoE RJ45 ,Support IEEE 802.3af/at
Uplink ports	Ports 9~10 1000M SFP slots
PoE Auto-check	If detect the frozen PD device, restart it
Working mode	Default mode: normal switch mode. VLAN mode: ports 1 ~ 8 are isolated from each other and can only communicate with the uplink port; restrain the network storm; turn off the flow control.
Cable and distance	Use cat5e/6,100m max(Extend mode max, 250m)
Standard	IEEE802.3, IEEE802.3u, IEEE802.3z
Switch fabric	20Gbps
Though put	14.88Mpps
Buffer	1M
MAC address table	8K
Indicator	Power: 1 *red ; Uplink 9~10: green LEDs indicate Link/Act Downlink 1~8: On RJ45 green LEDs indicate Link/Act, yellow LEDs indicate PoE
Protection	Surge: 6KV, standard: IEC61000-4-5 ESD: 8KV: contact/15KV: air, standard:IEC61000-4-2
Working temperature	-40℃ ~75℃
Storage temperature	-40℃ ~85℃
Humidity	0~95%(No condensation)
Dimension(L×W×H)	165 mm×114 mm×50mm
Material	Metal
Colour	Black
Net-weight	1000g

❖ Panel diagram

● Front panel



● Back panel

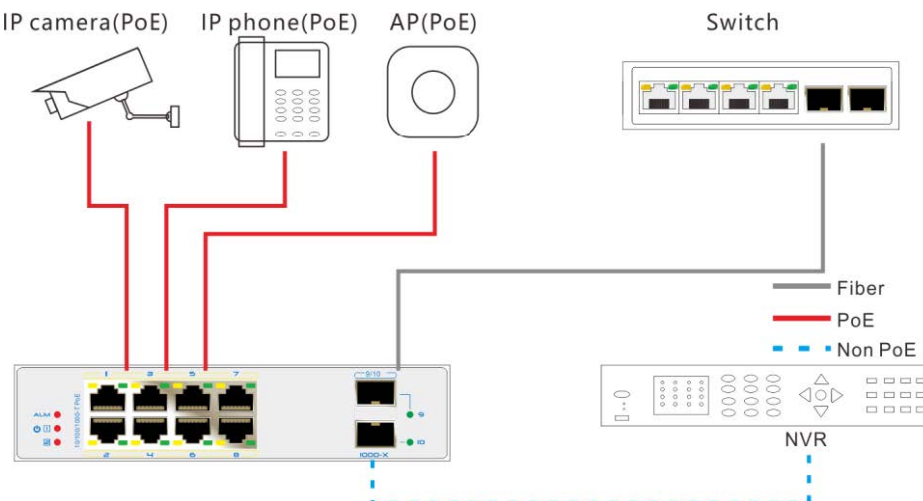


⚠ **Attention 1:** This product must be well grounded against lightning, please use better than 20# cable to connect the grounding terminal and ground.

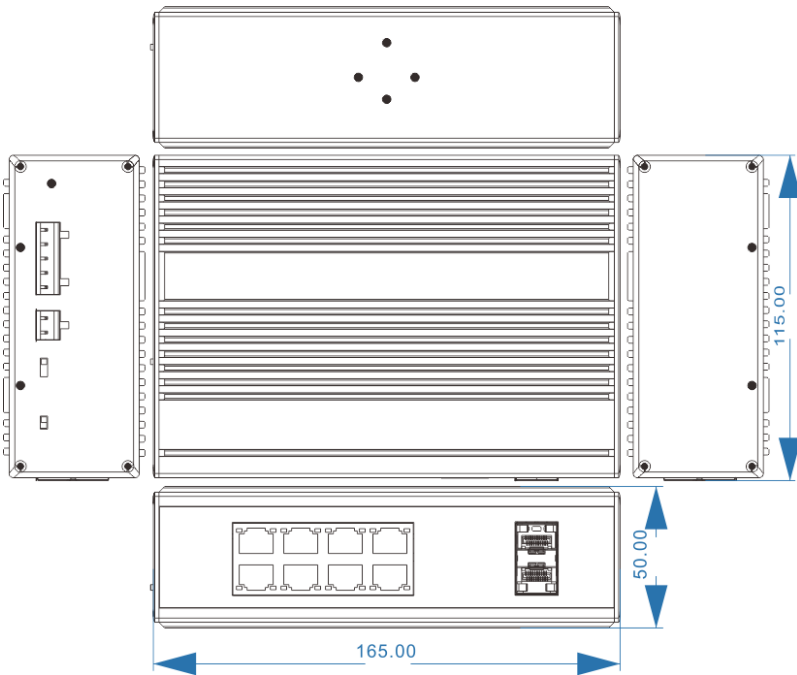
⚠ **Attention 2:**
 Default, VLAN mode: It can be selected by dip switch.
 Default mode: normal switch mode.
 VLAN : ports 1 ~ 8 are isolated from each other and can only communicate with the uplink port; restrain the network storm; turn off the flow control.

⚠ **Attention 3:**
 POE Auto-Check: PoE Auto-Check function is open/ closed by dip switch.
 The switch always auto detect 1~8 ports whether frozen, if some ports are frozen, the switch will restart them, but other ports are unaffected.

❖ Application



❖ Dimensions



❖ Order information

Model	Description
IGP-1031	8*10/100/1000M PoE ports, 2*1000M SFP ports, Default, VLAN working mods; PoE Auto-check function; Support relay alarm for power off, network broken, PoE off ; DC48~57V power input.