



**IGC-0102**

**Industrial Gigabit Media Converter Manual**

**Package Contents**

- IGC-0102
- User Manual

## CE Marking Warning

CE marking is a certification mark that indicates conformity with health, safety, and environmental protection standards for products sold within the European Economic Area (EEA). The CE marking is also found on products sold outside the EEA that have been manufactured to EEA standards. This makes the CE marking recognizable worldwide even to people who are not familiar with the European Economic Area.

## WEEE

WEEE is waste electrical and electronic equipment. It is end-of-life electrical and electronic equipment and covers virtually everything with a plug or battery. ... The EC introduced the WEEE Directive in 2002 to address the environmental impacts of unwanted electrical and electronic equipment at end-of-life disposal.

## FCC Certifications

This Equipment has been tested and found to comply with the limits for a Class B digital device, pursuant to part 15 of the FCC Rules. These limits are designed to provide reasonable protection against harmful interference when the equipment is operated in a commercial environment. This equipment generates, uses, and can radiate radio frequency energy and, if not installed and used in accordance with the instruction manual, may cause harmful interference to radio communications. Operation of this equipment in a residential area is likely to cause harmful interference in which case the user will be required to correct the interference at his own expense.

This device complies with Part 15 of the FCC Rules. Operation is subject to the following two conditions: (1) this device may not cause harmful interference, and (2) this device must accept any interference received; including interference that may cause undesired operation.



## RJ45 to SFP Gigabit Industrial Media Converter, -40°C to 75°C



### Overview

IGC-0102 is a 2-port industrial full gigabit media converter that supports up to 1 \*10/100/100M RJ45 port and 1\*1000M SFP slot. It supports relay alarm for power off, network broken.

It has the characteristics of reliable work, strong and durable, high cost performance and so on. It can be used in security network video monitoring system, network engineering and other occasions.

### ❖ Features

- ❖ With 1\*10/100/1000M RJ45 port and 1\*1000M SFP port;
- ❖ Supports relay alarm for power off, network broken;
- ❖ Supports 6KV surge protection, 6KV contact / 8KV air ESD protection;
- ❖ Supports working temperature -40°C~75°C.

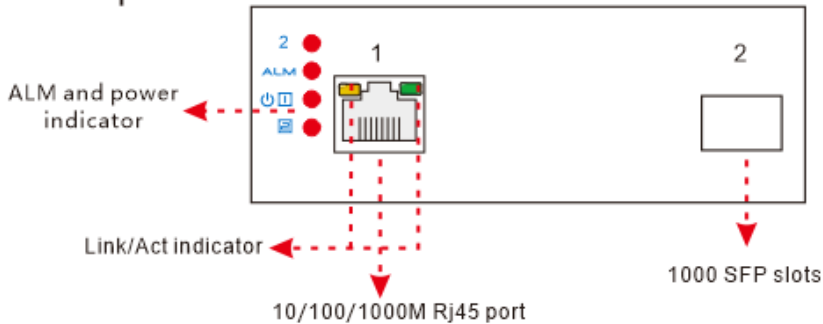
### ❖ Specifications

Parameter	Specifications
Power supply	Powered by power adaptor
Range of voltage	DC 12~60V
Consumption	Self consumption<5W
Downlink ports	Ports 1: 10/100/1000Base-T RJ45
Uplink ports	Ports 2: 1000Base-X SFP
Relay alarm	1 channel relay alarm output for power off, ports link down
Cable and distance	Use cat5e/6,100m max

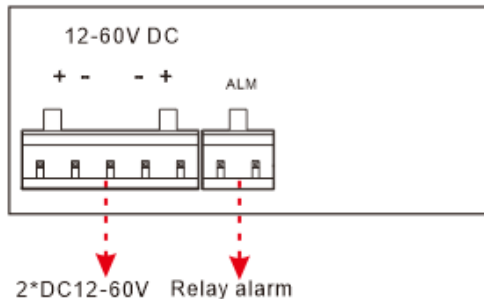
Standard	IEEE802.3, IEEE802.3u, IEEE802.3z
Switch fabric	4 Gbps
Though put	2.976 Mpps
Buffer	1M
MAC address table	8K
Indicator	Power: 1 *red ; Downlink 1~2: Yellow LED and green LEDs indicate Link/Act
Protection	Surge: 6KV, standard: IEC61000-4-5    ESD: 6KV: contact/8KV: air, standard:IEC61000-4-2
Working temperature	-40°C~75°C
Storage temperature	-40°C~85°C
Humidity	0~95%(No condensation)
Dimension(L×W×H)	101mm×65 mm×36mm
Material	Metal
Colour	Black
Net-weight	300g

## ❖ Panel diagram

### ● Front panel

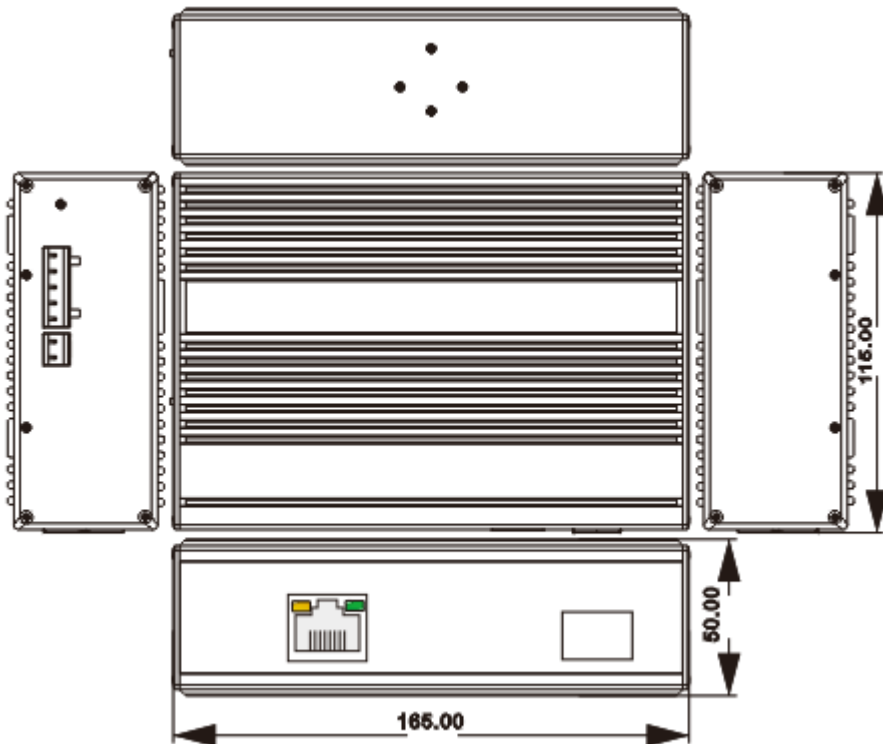


### ● Left panel



⚠ Attention1: This product must be well grounded against lightning , please use better than 20# cable to connect the grounding terminal and ground.

## ❖ Dimensions



## ❖ Order information

Model	Description
IGC-0102	With 1*10/100/1000M RJ45 port and 1*1000M SFP port; 2*DC12-60V power supply(Power adaptor buy extra); Supports relay alarm function for power off, network broken.