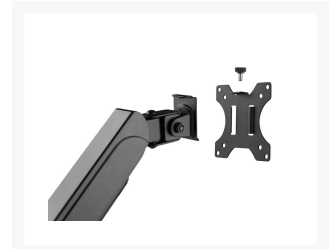
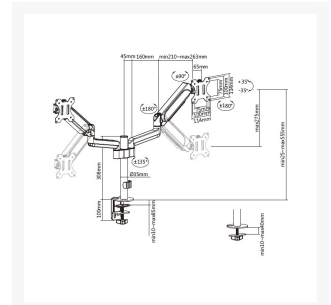
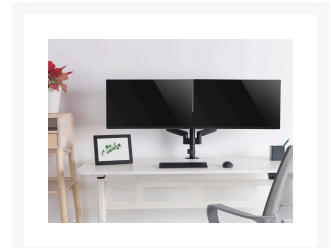
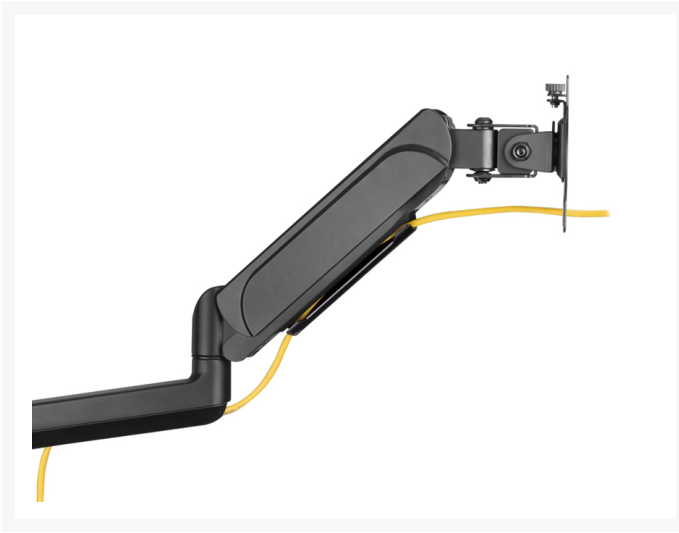




# 650133 17"-32" Dual Monitor Desk Mount Bracket

## Product Images





## Short Description

---

1. Mounting Option: Clamp/Grommet
2. Screen Rotation: 360°
3. Max. VESA: 100x100
4. Max. Load Capacity: 9Kg (per screen)
5. Sturdy and lightweight aluminum construction
6. Gas spring structure offers perfect counterbalance presentation in all directions
7. Built-in spring tension gauge can be easily adjusted to fit varied weights on the arm
8. VESA standards compliant
9. Tool-free height adjustment
10. Integrated cable management system

## Description

---

The equip® Monitor Desk Mount Bracket is a compact but sturdy product that ensures a reliable installation of your LCD/LED monitor. Follow the graphic guide included in the package, you can install your monitor on

your own with ease.

## Additional Information

---

|                          |                   |
|--------------------------|-------------------|
| Approval and compliance  | ROHS              |
| Load capacity (kg)       | 1~9kg(per screen) |
| Mount                    | Desk mount        |
| Pan (Swivel) range       | +90°~-90°         |
| No. of supported display | 2                 |
| Tilt range               | +35°~-35°         |
| VESA compatible          | 75x75,100x100     |
| Product weight (kg)      | 4.8               |
| Product breadth (mm)     | 123               |
| Product depth (mm)       | 715               |
| Product height (mm)      | 940               |
| Color                    | Black             |
| EAN                      | 4015867225370     |
| Model number             | 650133            |
| Package contents         | 650133            |
| TV size                  | 17"-32"           |

