

AeraMax® Pro AM IV and AM4 PC

AERA MAX®

PROFESSIONAL

Air Purifier | Purificateur d'air | Purificador de aire



CUSTOMER SERVICE & SUPPORT

www.fellowes.com

U.S.: 1-800-955-0959

Canada: 1-800-665-4339

Mexico: 001-800-514-9057



PLEASE READ THESE INSTRUCTIONS BEFORE USE.
DO NOT DISCARD: KEEP FOR FUTURE REFERENCE.

VEUILLEZ LIRE CES INSTRUCTIONS AVANT D'UTILISER L'APPAREIL.
NE PAS JETER : CONSERVER AFIN DE CONSULTER LES DIRECTIVES ULTÉ-
RIEUREMENT, EN CAS DE BESOIN.

LEA ESTAS INSTRUCCIONES ANTES DEL USO.
NO LAS DESECHE: CONSÉRVELAS PARA REFERENCIA FUTURA.

Fellowes
Brands™

1789 Norwood Avenue, Itasca, Illinois 60143 • 1-800-955-0959 • www.fellowes.com

© 2019 Fellowes, Inc. | Part #411638

*For a copy of the manual please visit www.aeramaxpro.com

SAFETY INSTRUCTIONS/WARNING

Thank you for purchasing the AeraMax® PRO AM IV.

Please read and save these instructions. Read carefully before attempting to assemble, install, operate or maintain this product. Protect yourself and others by observing all safety information. Failure to comply with instructions could result in personal injury and/or property damage. Retain instructions for future reference.

IMPORTANT CAUTIONS AND INSTRUCTIONS FOR USING AIR PURIFIER:

WARNING: Follow the instructions in this manual to reduce the risk of electric shock, short circuit, and/or fire:

- Do not use this air purifier as sole protection against harmful pollutants.
- Use this unit only in the manner intended by the manufacturer. If you have questions, contact the manufacturer.
- Installation work and electrical wiring must be done by qualified person(s). All electrical installation work must be conducted and carried out in accordance with all federal, state and local codes and regulations.
- Before servicing or cleaning the unit, switch power off at service panel. Lock service panel, or affix a warning tag, to prevent power from being switched back on accidentally.
- The AeraMax® PRO air quality control system must be grounded.
- Use only the electrical power (voltage and frequency) specified for the model air purifier being installed.
- Do not obstruct the air inlet or air outlet of the air purifier.
- When drilling into mounting surface, do not damage electrical wiring and other hidden utilities.
- Do not use unit without filters installed.
- Do not wash and reuse any of the filters.
- Do not use attachments or filters other than AeraMax® PRO brand, as unit will not function.
- Do not spray aerosols on, or into the unit.
- Do not use detergent to clean the unit.
- Do not insert fingers, liquids, or foreign objects into the air intake or outlet.
- Do not use the unit for anything other than air purification.

LIMITED PRODUCT WARRANTY

Limited Warranty: Fellowes, Inc. ("Fellowes") warrants the AeraMax® PRO air quality control system (the "Product") to be free of defects in material and workmanship for the time periods as set forth below.

- For PC units only: The particle counters and display screen for a period of three (3) years from the date of original purchase of the Product.
- For standard and PC units: All other parts for a period of five (5) years from the date of original purchase of the Product.

In the event that the Product is installed into new construction, the warranty period shall commence on the date of the occupancy permit or one year after the date of purchase, whichever is earlier. If any part is found to be defective during the warranty period, your sole and exclusive remedy will be repair or replacement, at Fellowes' option and expense, of the defective part. This warranty does not cover damage caused by use of non-Fellowes approved filters or failure to follow the recommended replacement schedule. This warranty does not apply in cases of abuse, mishandling, failure to comply with product usage standards, operation using an improper power supply (other than listed on the label), or unauthorized repair. Fellowes reserves the right to charge the consumers for any additional costs incurred by Fellowes to provide parts or services outside of the country where the Product was initially sold by an authorized reseller. This warranty does not cover replaceable filters. In the event that the Product is not readily accessible to Fellowes designated service personnel, Fellowes reserves the right to supply customer with replacement parts or Product in full satisfaction of its obligations under this warranty and any service obligations. ANY IMPLIED WARRANTY, INCLUDING THAT OF MERCHANTABILITY OR FITNESS FOR A PARTICULAR PURPOSE, IS HEREBY LIMITED IN DURATION TO THE APPROPRIATE WARRANTY PERIOD SET FORTH ABOVE. In no event shall Fellowes be liable for any consequential, incidental, indirect or special damages. This warranty gives you specific legal rights. The duration, terms, and conditions of this warranty are valid worldwide, except where different limitations, restrictions, or conditions may be required by local laws.

PACKAGING CONTENTS

- AeraMax® PRO Air Quality Control System
- True HEPA Filter with AeraSafe™ Antimicrobial Treatment (2 filters)
- Activated Carbon Filter w/Pre-Filter (2 of each filter)
- Keys for Locking Front Panel (2)
- Mounting Template
- Pan Head Phillips Screws - M6 x 50mm (4)
- Drywall Anchors - 10mm OD (4)
- Registration information

PRODUCT SPECIFICATIONS

AeraMax® PRO AM IV	
Dimensions (H x W x D)	19.6 x 34.7 x 9 inches / 49.7 x 88.1 x 22.8 cm
Weight of System (including filters)	33.3 lbs. / 15.1 kg
Power Requirements	120V, 60Hz, 2A
Power Consumption (5 fan speeds)	8, 12, 18, 35, 166 watt
Air Delivery (5 fan speeds)	153, 186, 224, 280, 440 CFM
Decibels	42, 44, 51, 53, 68 dB
Display	Capacitive Touch, Internal Access Only
Sensors	EnviroSmart™
Sensor Controlled Operation Modes	2 Primary modes - Normal Mode and Quiet Mode
Supplied Filters	2 True HEPA Filters with AeraSafe™ Antimicrobial Treatment with an estimated average filter life of 1 year, 2 Activated Carbon Filters with Pre-Filter, estimated average filter life 6 months.
Cleaning System	High Efficiency Particulate Air (HEPA) filter rated efficiency of 99.97% of airborne particulate at 0.3 microns. Carbon Filter adsorbs odor and volatile organic compounds, PlasmaTRUE™ bipolar ionizer.
Color	<ul style="list-style-type: none"> • Stainless (item# 9416301), • White (item# 9446201), • Graphite (item #9446301), • Custom finish available, call for more details

REPLACEMENT FILTERS

HEPA	True HEPA filter replacement with AeraSafe™ treatment. Average filter life 2 years: 9416601 – 2 pack
Carbon	Granular activated carbon replacement filter with pre-filter. Average filter life 6 months: 9416501 – 4 pack

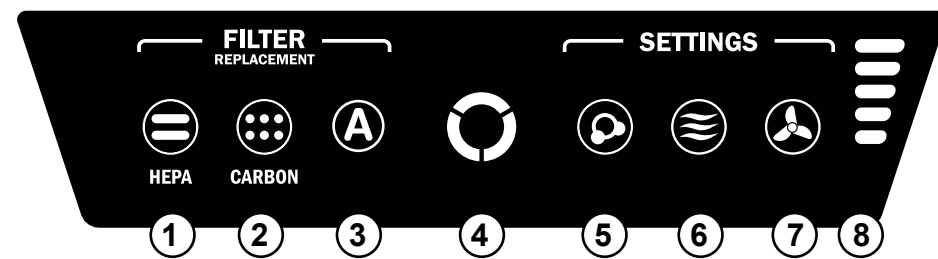
For additional replacement filter and accessory information please visit: www.aeramaxpro.com

INFORMATION TO THE USER

This equipment has been tested and found to comply with the limits for Class B digital device, pursuant to part 15 of the FCC Rules. These limits are designed to provide reasonable protection against harmful interference in an installation. This equipment generates, uses and can radiate radio frequency energy and, if not installed and used in accordance with the instructions, may cause harmful interference to radio communications. However, there is no guarantee that interference will not occur in a particular installation. If this equipment does cause harmful interference to radio or television reception, which can be determined by turning the equipment off and on, the user is encouraged to try to correct the interference by one or more of the following measures:

- Reorient or relocate the receiving antenna
- Increase the separation between the equipment and receiver
- Connect the equipment on a circuit different from that to which the receiver is connected.
- Consult the dealer or experienced radio/TV technician for help.

WARNING: Any changes or modifications not expressly approved by the manufacturer could void the user's authority to operate the equipment and warranty.



NOTE: after the unit is turned on the "AQ" light will flash for a few minutes while the system self-calibrates.

- ① **HEPA FILTER REPLACEMENT INDICATOR** — This indicator will show its status when the access panel is open or closed. If the light is red this indicates the filter needs replacing. The replacement period will vary depending on the filters used, hours of use, air quality, and rate of air flow. For filter replacement indicator descriptions see *FILTER REPLACEMENT INDICATORS* section.
- ② **CARBON FILTER REPLACEMENT INDICATOR** — This indicator will show its status when the access panel is open or closed. If the light is red this indicates the filter needs replacing. The replacement period will vary depending on the filters used, hours of use, air quality, and rate of air flow. For filter replacement indicator descriptions see *FILTER REPLACEMENT INDICATORS* section.
- ③ **ACCESSORY INDICATOR** — This indicator will show its status when the access panel is open or closed. This indicator will only be used if an accessory filter is installed in the unit. If the light is red this indicates the filter needs replacing. The replacement period will vary depending on the filters used, hours of use, air quality, and rate of air flow. For filter replacement indicator descriptions see *FILTER REPLACEMENT INDICATORS* section.
- ④ **AIR QUALITY SENSOR** — This indicator will show its status when the access panel is open or closed. This indicator monitors the air quality and adjusts the fan speed to keep your air purified. Blue, amber, and red lights indicate the purity of your air.
- ⑤ **PlasmaTRUE™ TECHNOLOGY** — This indicator will show its status when the access panel is open or closed. Creates an ionized field to help safely remove airborne pollutants. To turn on and off the PlasmaTRUE™ TECHNOLOGY, touch and hold the PLASMA indicator. A blue light illuminates when the PlasmaTRUE™ TECHNOLOGY is enabled. To disable the PlasmaTRUE™ TECHNOLOGY, press and hold "Plasma" indicator until light is off.
- ⑥ **AUTO MODE** — To select, press and hold the button until the icon illuminates. This mode uses the EnviroSmart™ technology to monitor the air quality, motion and noise level to adjust the fan speed in order to purify your air as quickly as possible. This button also includes QUIET MODE. To select, press and hold until the button turns green. The machine will continue to use EnviroSmart™ but only utilizes the 3 lowest, most quiet of the 5 fan speeds.
- ⑦ **MANUAL MODE** — To select, press the button until the icon illuminates. This mode allows you to choose one of the 5 fan speeds and keep the unit at this speed until AUTO MODE is chosen again. The internal sensors will not adjust the fan speed in this mode.
- ⑧ **FAN SPEED INDICATORS** — The fan has 5 speeds and can reach turbo speed to clean the room in case of high levels of contaminants. The number of bars illuminated indicates fan speed.

1 — whisper	4 — high
2 — low	5 — turbo
3 — medium	

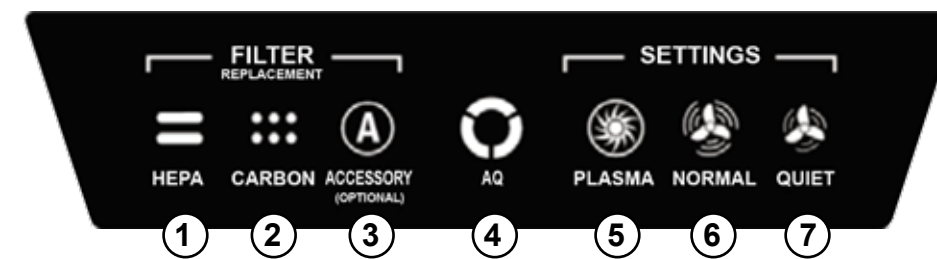
OPERATION

The air purifier continuously works in automatic mode; the user can select which preference they would like the purifier to use based on the location or desired operation of the air purifier. The purifier will operate through a minimized range of speeds, not exceeding the maximum level selected, in order to run quietly while cleaning the room of contaminants. Once air is cleaned, and no sensors are activated, the unit lowers to energy saving mode to reduce energy consumption and extend the life of the filters.

When Auto Mode is selected, the Auto mode indicator will be blue. This mode uses the EnviroSmart™ technology to monitor the air quality, motion and noise level to adjust the fan speed in order purify your air as quickly as possible. Once air is cleaned, and no sensors are activated, the unit lowers to energy saving mode to reduce energy consumption and extend the life of the filters.

When Quiet Mode is selected, the Auto Mode indicator will be green. The machine will continue to use EnviroSmart™ but only utilizes the 3 lowest, most quiet of the 5 fan speeds.

When Manual Mode is selected, the Manual mode indicator will be blue. This mode allows you to choose one of the 5 fan speeds and keep unit at this speed until Auto Mode is chosen/selected. EnviroSmart™ sensors will NOT adjust the fan speed in this mode.



NOTE: after the unit is turned on the "AQ" light will flash for a few minutes while the system self-calibrates.

- ① **HEPA FILTER REPLACEMENT INDICATOR** — This indicator will show its status when the access panel is open or closed. If the light is red this indicates the filter needs replacing. The replacement period will vary depending on the filters used, hours of use, air quality, and rate of air flow. For filter replacement indicator descriptions see *FILTER REPLACEMENT INDICATORS* section.
 - ② **CARBON FILTER REPLACEMENT INDICATOR** — This indicator will show its status when the access panel is open or closed. If the light is red this indicates the filter needs replacing. The replacement period will vary depending on the filters used, hours of use, air quality, and rate of air flow. For filter replacement indicator descriptions see *FILTER REPLACEMENT INDICATORS* section.
 - ③ **ACCESSORY INDICATOR** — This indicator will show its status when the access panel is open or closed. This indicator will only be used if an accessory filter is installed in the unit. If the light is red this indicates the filter needs replacing. The replacement period will vary depending on the filters used, hours of use, air quality, and rate of air flow. For filter replacement indicator descriptions see *FILTER REPLACEMENT INDICATORS* section.
 - ④ **AIR QUALITY SENSOR** — This indicator will show its status when the access panel is open or closed. This indicator monitors the air quality and adjusts the fan speed to keep your air purified. Blue, amber, and red lights indicate the purity of your air.
 - ⑤ **PlasmaTRUE™ TECHNOLOGY** — This indicator will show its status when the access panel is open or closed. Creates an ionized field to help safely remove airborne pollutants. To turn on and off the PlasmaTRUE™ TECHNOLOGY, touch and hold the PLASMA indicator. A blue light illuminates when the PlasmaTRUE™ TECHNOLOGY is enabled. To disable the PlasmaTRUE™ TECHNOLOGY, press and hold "Plasma" indicator until light is off.
 - ⑥ **NORMAL MODE** — Select this mode for restrooms, cafeterias, fitness areas, and other louder areas as rapid purification is initiated when the room is occupied and/or strong airborne contaminants are present. To select, press and hold the "Normal" indicator until icon illuminates. This mode monitors air quality, motion, and noise level to adjust the fan speed in order to keep your air purified as quickly as possible. The fan can reach turbo speed to clean the room in the case of high levels of contaminant.
 - Level 1 = The lowest speed, the unit will beep one time when this mode has been selected and the unit will not run faster than this lowest speed.
 - Level 2 = Low speed, the unit will beep two times when this mode has been selected and the unit will not run faster than low speed.
 - Level 3 = Medium speed, the unit will beep three times when this mode has been selected and the unit will not run faster than medium speed.
 - ⑦ **QUIET MODE** — This mode utilizes the 3 lowest, most quiet of the 5 fan speeds. Select this mode for classrooms, meeting rooms, offices, and other quieter areas as the unit will not run faster than the maximum set speed. To select, press and hold the "Quiet" indicator until icon illuminates. Continue to press and hold the indicator to switch between the maximum speeds in this mode. There are three different levels; each level represents a maximum fan speed that the unit can achieve.
 - Level 1 = The lowest speed, the unit will beep one time when this mode has been selected and the unit will not run faster than this lowest speed.
 - Level 2 = Low speed, the unit will beep two times when this mode has been selected and the unit will not run faster than low speed.
 - Level 3 = Medium speed, the unit will beep three times when this mode has been selected and the unit will not run faster than medium speed.
- The Quiet Mode monitors air quality, motion, and noise level to adjust the fan speed in order to keep the air purified as efficiently as possible while not exceeding the maximum speed level selected.

OPERATION

The air purifier continuously works in automatic mode; the user can select which preference they would like the purifier to use based on the location or desired operation of the air purifier. The purifier will operate through a minimized range of speeds, not exceeding the maximum level selected, in order to run quietly while cleaning the room of contaminants. Once air is cleaned, and no sensors are activated, the unit lowers to energy saving mode to reduce energy consumption and extend the life of the filters.

When Normal mode is selected the Normal indicator on the control panel will be blue when the access panel is open. The purifier will operate through its full range of speeds in order to clean the room of contaminants as quickly as possible. Once air is cleaned, and no sensors are activated, the unit lowers to energy saving mode to reduce energy consumption and extend the life of the filters.

When Quiet mode is selected the Quiet indicator on the control panel will be blue when the access panel is open. The purifier will operate through a minimized range of speeds in order to stay as quiet as possible while cleaning the room of contaminants. Once air is cleaned, and no sensors are activated, the unit lowers to energy saving mode to reduce energy consumption and extend the life of the filters.

CLEANING:

- Clean external housing as necessary by wiping with a dry, soft cloth; for stains, use a warm, damp cloth.
- Do not use volatile fluids such as benzene, paint thinner, scouring powder or other cleaners that may damage the unit surface.
- Clean intake and exhaust vents by wiping with a dry, soft cloth.

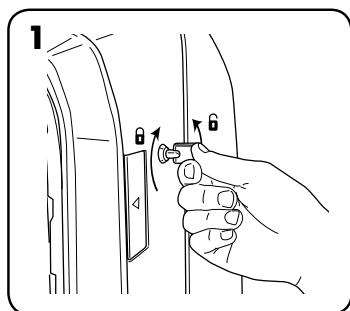
FILTER REPLACEMENT INDICATORS:

The replacement filter indicators will signal when to replace the HEPA Filter and/or Carbon with Pre-Filter. The replacement period will vary depending on the hours of use, air quality, and rate of air flow. However, under normal usage, most HEPA Filters need to be replaced every 2 years, and Carbon with Pre-Filter every 6 months. When a filter needs to be replaced the following color will be shown on any one of the HEPA, CARBON, or ACCESSORY filter replacement indicators:

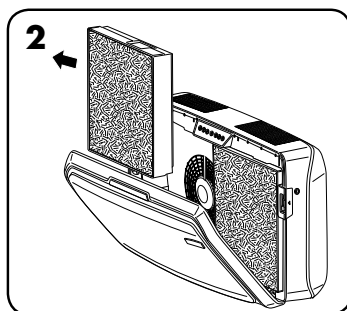
- Red Flashing = RIGHT filter 90% full
- Amber Flashing = LEFT filter 90% full
- Red Flash, Pause, Amber Flash, Pause = Right & LEFT filters 90% full
- Red = Replace RIGHT filter
- Amber = Replace LEFT filter
- Red & Amber Alternating = Replace Right & Left filters

Do not wash and reuse any of the filters – they will not work effectively. Only use AeraMax[®] PRO brand replacement filters as units will not function using any other replacements.

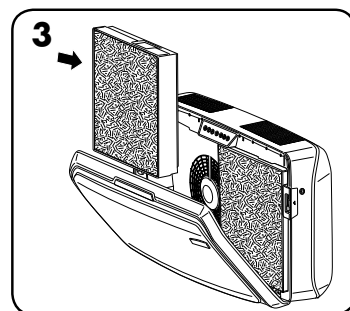
FILTER REPLACEMENT PROCEDURE:



1 Unlock access panel: to unlock, insert the key provided and rotate counter-clockwise ¼ turn.



2 Open front access panel by pressing latches on both sides of unit. Allow panel to open fully. Remove filter(s) to be replaced.



3 Remove any packaging wrap from the new filter(s) and re-install the filters.

FILTER REPLACEMENT:

When installing a new filter the unit will automatically detect the filter type but the user will have to manually reset the filter replacement indicators. To reset the flashing filter replacement indicator use the following procedure:

- 1 Touch and hold the illuminated indicator for three seconds until a beep is heard and the indicator is flashing green.
- 2 Release finger from indicator.
- 3 Touch and hold the indicator for three seconds until a beep is heard and the indicator light turns off.

Note: If you do not complete step three within 10 seconds of completing step 1 then the indicator light will not be reset.

TROUBLESHOOTING

PROBLEM:	POSSIBLE SOLUTION:
The air quality control system fails to start.	<ul style="list-style-type: none"> • Check to assure unit is connected to power supply. • Make sure filters are genuine AeraMax[®] PRO filters, as unit will not function with other brands. IMPORTANT: Make sure filter detection area on genuine AeraMax[®] PRO replacement filter aligns with window in filter frame. • Review "Re-Installing Filters" section for further detail. • Make sure front access panel is closed completely. • Make sure power switch is on.
The unit makes a faint ticking sound.	<ul style="list-style-type: none"> • This indicates that the "PlasmaTRUE™" bipolar ionizer is working.
The HEPA and/or Carbon Filter replacement indicator light remain lit after replacing the filter(s).	<ul style="list-style-type: none"> • Repeat filter light reset instruction.

*Pour obtenir une copie du manuel, veuillez visiter le site www.aeramaxpro.com

CONSIGNES DE SÉCURITÉ/MISE EN GARDE

Merci pour votre achat de l'AeraMax[®] PRO AM IV.

Veuillez lire et conserver ces consignes. À lire attentivement avant toute tentative d'assemblage, d'installation, d'utilisation ou d'entretien de ce produit. Protégez-vous et autrui en respectant toutes les consignes de sécurité. Le non-respect de ces consignes pourrait entraîner des blessures corporelles et/ou des dégâts matériels. Conserver ces consignes pour pouvoir s'y référer ultérieurement.

IMPORTANTES MISES EN GARDE ET CONSIGNES CONCERNANT L'UTILISATION DU PURIFICATEUR D'AIR :

AVERTISSEMENT : suivre les instructions de ce manuel pour réduire le risque de choc électrique, de court circuit et/ou d'incendie :

- Ne pas utiliser ce purificateur d'air comme unique protection contre les polluants nocifs.
- Utiliser cette unité exclusivement de la façon prévue par le fabricant. Pour toute réponse aux éventuelles questions, contacter le fabricant.
- Les tâches d'installation et le câblage électrique doivent être effectués par des personnes qualifiées. Toute tâche d'installation électrique doit être effectuée et réalisée en accord avec tous les codes et réglementations gouvernementaux, provinciaux et locaux.
- Mettre l'unité hors tension à partir du panneau de commande avant tout entretien ou nettoyage. Verrouiller le panneau de commande ou apposer une étiquette d'avertissement, pour que personne ne remette l'unité sous tension par mégarde.
- Le système de contrôle de la qualité de l'air AeraMax[®] PRO doit être mis à la terre.
- Utiliser uniquement la puissance électrique (tension et fréquence) indiquée pour le modèle de purificateur d'air en cours d'installation.
- Ne pas obstruer l'entrée et la sortie d'air du purificateur d'air.
- Lorsque vous percez la surface de montage, veillez à ne pas endommager les fils électriques et tout autre équipement des services publics.
- Utiliser l'unité uniquement après avoir installé les filtres.
- Ne pas laver les filtres afin de les réutiliser.
- N'utiliser aucune pièce ni aucun filtre qui ne soit pas de marque AeraMax[®] PRO. Cela empêcherait l'unité de fonctionner.
- Ne pas vaporiser d'aérosol sur ou dans l'unité.
- Ne pas utiliser de détergent pour nettoyer l'unité.
- Veiller à ne pas insérer les doigts ni aucun liquide, ou corps étranger dans l'entrée d'air ou les événements.
- Ne pas utiliser l'unité, si ce n'est pour purifier l'air.

GARANTIE LIMITÉE DU PRODUIT

Garantie limitée : Fellowes, Inc. (« Fellowes ») garantit que le système de contrôle de la qualité de l'air AeraMax[®] PRO (le « Produit ») sera exempt de tout défaut de matériaux et de main d'œuvre pendant les périodes stipulées ci-dessous.

- Pour les appareils PC uniquement : Les compteurs de particules et l'écran d'affichage pour une période de trois (3) ans à compter de la date d'achat d'origine du produit.
- Pour les appareils standard et PC : Toutes les autres pièces pour une période de cinq (5) ans à compter de la date d'achat d'origine du produit.

Si le Produit est installé dans un bâtiment nouvellement construit, la période de garantie commencera au moment où le permis d'occuper sera émis ou un an après la date d'achat, selon la première éventualité. Si une pièce s'avère défectueuse durant la période de garantie, votre seul et unique recours sera la réparation ou le remplacement de la pièce à la discrétion et aux frais de Fellowes. Cette garantie ne couvre pas les dommages causés par l'utilisation de filtres non approuvés par Fellowes ou le non-respect du programme de remplacement recommandé. Cette garantie ne couvre pas les cas d'abus, de manutention inadéquate, de non-conformité aux normes d'usage du produit, d'utilisation d'une source d'alimentation inappropriée (autre que celle indiquée sur l'étiquette) ou de réparation non autorisée. Fellowes se réserve le droit de facturer aux clients tous coûts supplémentaires encourus par Fellowes pour fournir des pièces ou des services à l'extérieur du pays où le produit a été vendu à l'origine par un revendeur autorisé. Cette garantie ne couvre pas les filtres remplaçables. Dans le cas où le Produit ne serait pas facilement accessible au personnel d'entretien désigné par Fellowes, Fellowes se réserve le droit de fournir au client des pièces de rechange ou un Produit afin de s'acquitter pleinement de ses obligations dans le cadre de la présente garantie et de toutes ses obligations en matière d'entretien. TOUTE GARANTIE IMPLICITE, Y COMPRIS CELLE DE QUALITÉ MARCHANDE OU D'ADAPTATION À UNE UTILISATION PARTICULIÈRE, SE LIMITE AUX PRÉSENTES À LA DURÉE DE LA PÉRIODE DE GARANTIE APPROPRIÉE ÉTABLIE DANS CE DOCUMENT. En aucun cas, Fellowes ne sera tenue responsable de quelque façon que ce soit de tout dommage direct ou indirect, accidentel ou non ou spécial attribuable à ce produit. Cette garantie vous donne des droits juridiques spécifiques. La durée, les modalités et les conditions de cette garantie s'appliquent partout dans le monde sauf dans les cas où différentes limites, restrictions ou conditions pourraient être exigées par la loi locale.

CONTENU DE L'EMBALLAGE

- Système de contrôle de la qualité de l'air AeraMax® PRO :
- Filtre HEPA authentique avec traitement antimicrobien AeraSafe™ (2 filtres)
- Filtre à charbon actif avec préfiltre (2 filtre de chaque type)
- Clés de verrouillage du panneau frontal (2)
- Gabarit de montage
- Vis Phillips à tête cylindrique - M6 x 50mm (4)
- Ancrages pour placoplâtre - 10mm de long (4)
- Renseignements concernant l'enregistrement

CARACTÉRISTIQUES TECHNIQUES DU PRODUIT

AeraMax® PRO AM IV	
Dimensions (H x L x P)	19,6 x 34,7 x 9 pouces / 49,7 x 88,1 x 22,8 cm
Poids du système (filtres inclus)	33,3 lbs. / 15,1 kg
Exigences d'alimentation	120 V, 60 Hz, 2 A
Consommation électrique (5 vitesses de ventilateur)	8, 12, 18, 35, 166 watts
Transport de l'air (5 vitesses de ventilateur)	153, 186, 224, 280, 440 CFM
Décibels	42, 44, 51, 53, 68 dB
Affichage	Capacitif tactile, Accès interne uniquement
Capteurs	EnviroSmart™
Modes de fonctionnement contrôlés par capteur	2 modes principaux : mode Normal et mode Silencieux
Filtres fournis	2 filtres HEPA authentique avec traitement antimicrobien AeraSafe™ dont la durée de vie estimée est de 1 an, 2 filtres à charbon actif avec préfiltre dont la durée de vie moyenne est de 6 mois.
Système de nettoyage	Efficacité du filtre d'air à particules à haute efficacité (HEPA) : 99,97 % des particules en suspension dans l'air à 0,3 micron. Le filtre à charbon actif adsorbe les odeurs et les composés organiques volatils, ionisateur bipolaire PlasmaTRUE™.
Couleur	<ul style="list-style-type: none"> • Inoxydable (article n° 9416301), • Blanc (article n° 9446201), • Graphite (article n° 9446301), • Fini personnalisable disponible; appeler pour en savoir plus

FILTRES DE RECHANGE

HEPA	Filtre de rechange HEPA authentique avec traitement antimicrobien AeraSafe™ Durée de vie moyenne de 2 ans : 9416601 – paquet de 2
Charbon	Filtre de rechange avec charbon actif granulaire avec préfiltre. Durée de vie moyenne du filtre de 6 ans : 9416501 – paquet de 4

Pour acheter des filtres de rechange supplémentaires et pour obtenir des renseignements sur les accessoires disponibles, veuillez vous rendre sur le site suivant : www.aeramaxpro.com

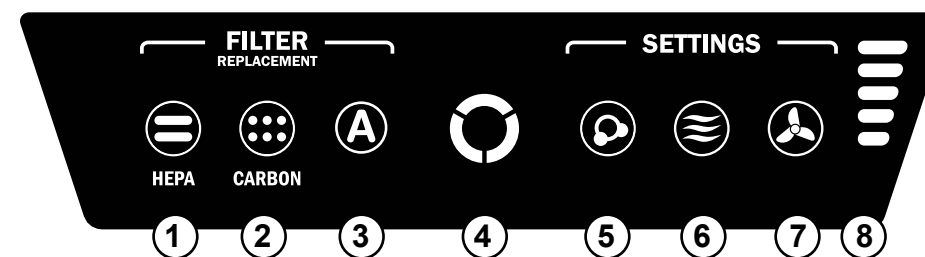
RENSEIGNEMENTS À L'INTENTION DE L'UTILISATEUR

Cet appareil a été testé et est conforme aux limites établies pour un appareil numérique de classe B, conformément à l'alinéa 15 des règles de la FCC. Ces limites sont conçues pour offrir une protection raisonnable contre l'interférence nocive lorsque l'équipement est utilisé dans une installation résidentielle. Cet équipement produit, utilise et peut émettre des radiofréquences et, s'il n'est pas installé et utilisé conformément aux instructions, peut causer un brouillage préjudiciable pour les radiocommunications. Il n'est toutefois pas garanti qu'un brouillage préjudiciable ne se produira pas dans une installation particulière. Si cet équipement entraîne un brouillage préjudiciable pour la réception des programmes radio ou télévisés, ce qui peut être déterminé en allumant puis en éteignant l'équipement, l'utilisateur est encouragé à essayer de corriger le brouillage préjudiciable à l'aide de l'une ou l'autre des mesures suivantes :

- Réorienter ou déplacer l'antenne de réception;
- Augmenter la distance entre l'équipement et le récepteur.
- Connecter l'équipement à une prise sur un circuit différent de celui auquel le récepteur est connecté;
- Consulter le concessionnaire ou un technicien radio/télé expérimenté pour obtenir de l'aide.

AVERTISSEMENT : Les changements ou modifications qui ne sont pas approuvés expressément par le fabricant pourraient annuler la garantie et l'autorité de l'utilisateur de faire fonctionner l'équipement.

PANNEAU D'AFFICHAGE AM4 PC



REMARQUE : une fois l'unité activée, le voyant « QA » clignote pendant quelques minutes lors du calibrage automatique du système.

- INDICATEUR DE REMPLACEMENT DU FILTRE HEPA :** cet indicateur affiche son état à l'ouverture et à la fermeture du panneau d'accès. Le filtre a besoin d'être remplacé lorsque le voyant clignote en rouge. La fréquence de remplacement varie selon le type de filtre utilisé, les heures d'utilisation, la qualité de l'air et le débit d'air. Pour consulter les descriptions des indicateurs de remplacement des filtres, voir la section *INDICATEUR DE REMPLACEMENT DES FILTRES*.
- INDICATEUR DE REMPLACEMENT DU FILTRE À CHARBON ACTIF :** cet indicateur affiche son état à l'ouverture et à la fermeture du panneau d'accès. Le filtre a besoin d'être remplacé lorsque le voyant clignote en rouge. La fréquence de remplacement varie selon le type de filtre utilisé, les heures d'utilisation, la qualité de l'air et le débit d'air. Pour consulter les descriptions des indicateurs de remplacement des filtres, voir la section *INDICATEUR DE REMPLACEMENT DES FILTRES*.
- INDICATEUR D'ACCESSOIRE :** cet indicateur affiche son état à l'ouverture et à la fermeture du panneau d'accès. Cet indicateur ne sera utilisé que si un filtre d'accessoire est installé dans l'unité. Le filtre a besoin d'être remplacé lorsque le voyant clignote en rouge. La fréquence de remplacement varie selon le type de filtre utilisé, les heures d'utilisation, la qualité de l'air et le débit d'air. Pour consulter les descriptions des indicateurs de remplacement des filtres, voir la section *INDICATEUR DE REMPLACEMENT DES FILTRES*.
- CAPTEUR DE QUALITÉ DE L'AIR :** cet indicateur affiche son état à l'ouverture et à la fermeture du panneau d'accès. Cet indicateur contrôle la qualité de l'air et règle la vitesse du ventilateur pour que l'air qui vous entoure reste pur. Les indicateurs bleu, ambre et rouge indiquent la pureté de l'air qui vous entoure.
- TECHNOLOGIE PlasmaTRUE™ :** cet indicateur affiche son état à l'ouverture et à la fermeture du panneau d'accès. Produit un champ ionisé pour supprimer les polluants de l'air en toute sécurité. Pour activer et désactiver la TECHNOLOGIE PlasmaTRUE™, appuyez sur l'indicateur PLASMA et maintenez-le enfoncé. Un voyant bleu s'allume lorsque la TECHNOLOGIE PlasmaTRUE™ est activée. Pour désactiver la TECHNOLOGIE PlasmaTRUE™, appuyez sur l'indicateur « PLASMA » jusqu'à ce que le voyant s'éteigne.
- MODE AUTO :** pour effectuer une sélection, appuyer sur le bouton puis le maintenir enfoncé jusqu'à ce que l'icône s'allume. Ce mode utilise la technologie EnviroSmart™ pour surveiller la qualité de l'air, le mouvement, le niveau de bruit et régler la vitesse du ventilateur afin de rétablir la pureté de l'air aussi vite que possible. Ce bouton comporte aussi un MODE SILENCIEUX. Pour le sélectionner, appuyer sur le bouton puis le maintenir enfoncé jusqu'à ce que le bouton devienne vert. La machine continuera d'utiliser le mode EnviroSmart™, mais utilisera uniquement les 3 vitesses du ventilateur les plus basses et les plus silencieuses, sur les 5 existantes.
- MODE AUTO :** pour effectuer une sélection, appuyer sur le bouton puis le maintenir enfoncé jusqu'à ce que l'icône s'allume. Ce mode permet de choisir une des 5 vitesses du ventilateur et de garder l'unité à cette vitesse tant que le MODE AUTO n'est pas de nouveau choisi/sélectionné. Les capteurs internes ne régleront pas la vitesse du ventilateur dans ce mode.
- INDICATEURS DE VITESSE DU VENTILATEUR :** le ventilateur possède 5 vitesses et peut atteindre la vitesse turbo afin de nettoyer la pièce en cas d'élévation du niveau de polluants. Le nombre de barres allumées indique la vitesse du ventilateur.

- | | |
|-----------------|------------|
| 1 - silencieuse | 4 - rapide |
| 2 - lente | 5 - turbo |
| 3 - moyenne | |

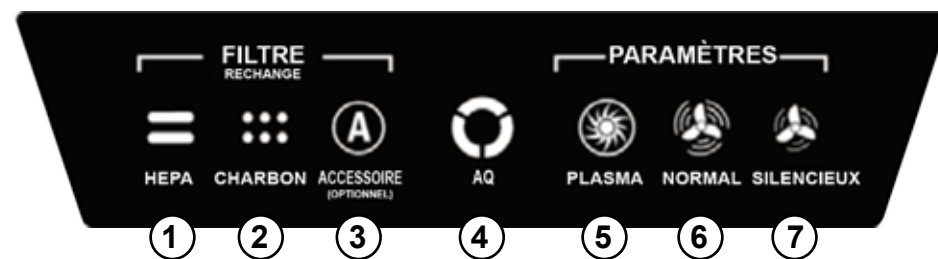
FONCTIONNEMENT

Le purificateur d'air fonctionne en continu en mode automatique ; l'utilisateur peut sélectionner les paramètres que le purificateur d'air doit utiliser selon l'emplacement ou l'utilisation souhaité du purificateur d'air. Le purificateur fonctionnera à une plage réduite de vitesses, ne dépassant pas le niveau maximal sélectionné, afin d'éliminer silencieusement les contaminants de la pièce. Une fois l'air nettoyé, à condition qu'aucun capteur ne soit activé, l'unité passe en mode d'économie d'énergie pour réduire la consommation d'énergie et prolonger la durée de vie des filtres.

Lorsque le Mode auto est sélectionné, l'indicateur « Mode auto » est bleu. Ce mode utilise la technologie EnviroSmart™ pour surveiller la qualité de l'air, le mouvement, le niveau de bruit et régler la vitesse du ventilateur afin de rétablir la pureté de l'air aussi vite que possible. Une fois l'air nettoyé et à condition qu'aucun capteur ne soit activé, l'unité passe en mode d'économie d'énergie pour réduire la consommation d'énergie et prolonger la durée de vie des filtres.

Lorsque le mode Silencieux est sélectionné, l'indicateur du mode Auto deviendra vert. La machine continuera d'utiliser le mode EnviroSmart™, mais utilisera uniquement les 3 vitesses du ventilateur les plus basses et les plus silencieuses, sur les 5 existantes.

Lorsque le mode Manuel est sélectionné, l'indicateur du mode Manuel devient bleu. Ce mode permet de choisir une des 5 vitesses de ventilateur et de garder l'unité à cette vitesse tant que le mode automatique n'est pas choisi/sélectionné. Les capteurs EnviroSmart™ NE régleront PAS la vitesse du ventilateur dans ce mode.



REMARQUE : une fois l'unité activée, le voyant « QA » clignote pendant quelques minutes lors du calibrage automatique du système.

- 1 **INDICATEUR DE REMPLACEMENT DU FILTRE HEPA** : cet indicateur affiche son état lors de l'ouverture et de la fermeture du panneau d'accès. Le filtre a besoin d'être remplacé lorsque le voyant clignote en rouge. La fréquence de remplacement varie selon le type de filtre utilisé, les heures d'utilisation, la qualité de l'air et le débit d'air. Pour consulter les descriptions des indicateurs de remplacement des filtres, voir la section *INDICATEUR DE REMPLACEMENT DES FILTRES*.
- 2 **INDICATEUR DE REMPLACEMENT DU FILTRE À CHARBON ACTIF** : cet indicateur affiche son état à l'ouverture et à la fermeture du panneau d'accès. Le filtre a besoin d'être remplacé lorsque le voyant clignote en rouge. La fréquence de remplacement varie selon le type de filtre utilisé, les heures d'utilisation, la qualité de l'air et le débit d'air. Pour consulter les descriptions des indicateurs de remplacement des filtres, voir la section *INDICATEUR DE REMPLACEMENT DES FILTRES*.
- 3 **INDICATEUR D'ACCESSOIRE** : cet indicateur affiche son état à l'ouverture et à la fermeture du panneau d'accès. Cet indicateur ne sera utilisé que si un filtre d'accessoire est installé dans l'unité. Le filtre a besoin d'être remplacé lorsque le voyant clignote en rouge. La fréquence de remplacement varie selon le type de filtre utilisé, les heures d'utilisation, la qualité de l'air et le débit d'air. Pour consulter les descriptions des indicateurs de remplacement des filtres, voir la section *INDICATEUR DE REMPLACEMENT DES FILTRES*.
- 4 **CAPTEUR DE QUALITÉ DE L'AIR** : cet indicateur affiche son état à l'ouverture et à la fermeture du panneau d'accès. Cet indicateur contrôle la qualité de l'air et règle la vitesse du ventilateur pour que l'air qui vous entoure reste pur. Les indicateurs bleu, orange et rouge indiquent la pureté de l'air qui vous entoure.
- 5 **TECHNOLOGIE PlasmaTRUE™** : cet indicateur affiche son état à l'ouverture et à la fermeture du panneau d'accès. produit un champ ionisé pour supprimer les polluants de l'air en toute sécurité. Pour activer et désactiver la TECHNOLOGIE PlasmaTRUE™, appuyer sur l'indicateur PLASMA et le maintenir

enfoncé. Un voyant bleu s'allume lorsque la TECHNOLOGIE PlasmaTRUE™ est activée. Pour désactiver la TECHNOLOGIE PlasmaTRUE™, appuyer sur l'indicateur « PLASMA » jusqu'à ce que le voyant s'éteigne.

- 6 **MODE NORMAL** : sélectionner ce mode pour les toilettes, les cafétérias, les salles de gym et autres endroits bruyants car la purification de l'air commence lorsque la pièce est occupée et/ou en présence de contaminants aériens. Pour effectuer une sélection, appuyer sur l'indicateur « Normal » jusqu'à ce que l'icône s'allume. Ce mode permet de contrôler la qualité de l'air et le niveau de bruit pour régler la vitesse du ventilateur afin de conserver la pureté de l'air sans délai. En présence de niveaux élevés de contaminants, le ventilateur peut atteindre une vitesse turbo afin de nettoyer la pièce.

- 7 **MODE SILENCIEUX** : ce mode utilise les 3 vitesses les plus basses et silencieuses des 5 vitesses du ventilateur. Sélectionner ce mode pour les salles de cours, les salles de réunion, les bureaux et autres endroits plus tranquilles car l'unité ne fonctionnera pas à une vitesse supérieure à la vitesse maximale définie. Pour effectuer une sélection, appuyer sur l'indicateur « Quiet » (Silencieux) jusqu'à ce que l'icône s'allume. Continuer à appuyer sur l'indicateur et le maintenir enfoncé pour basculer d'une vitesse maximale à l'autre dans ce mode. Il existe trois niveaux différents, chacun représentant une vitesse maximale du ventilateur que l'unité peut atteindre.

- Niveau 1 = la vitesse la moins élevée, l'unité émettra un seul bip à la sélection de ce mode et ne fonctionnera pas à une vitesse supérieure à cette vitesse qui est la plus basse.
- Niveau 2 = basse vitesse, l'unité émettra deux bips à la sélection de ce mode et ne fonctionnera pas à une vitesse supérieure à la basse vitesse.
- Niveau 3 = vitesse moyenne, l'unité émettra trois bips à la sélection de ce mode et ne fonctionnera pas à une vitesse supérieure à la vitesse moyenne.

Le mode Silencieux permet de contrôler la qualité et le mouvement de l'air ainsi que le niveau de bruit pour régler la vitesse du ventilateur afin de conserver la pureté de l'air aussi efficacement que possible sans pour autant dépasser le niveau de vitesse maximal sélectionné.

FONCTIONNEMENT

Le purificateur d'air fonctionne en continu en mode automatique ; l'utilisateur peut sélectionner les paramètres que le purificateur d'air doit utiliser selon l'emplacement ou l'utilisation souhaité du purificateur d'air. Le purificateur fonctionnera à une plage réduite de vitesse, ne dépassant pas le niveau maximal sélectionné, afin d'éliminer silencieusement les contaminants de la pièce. Une fois l'air nettoyé et à condition qu'aucun capteur ne soit activé, l'unité passe en mode d'économie d'énergie pour réduire la consommation d'énergie et prolonger la durée de vie des filtres.

Une fois le mode Normal sélectionné, l'indicateur Normal du panneau de commande s'allume en bleu lorsque le panneau d'accès est ouvert. Le purificateur passe d'une de ses vitesses à l'autre de sorte à éliminer les contaminants de la pièce aussi vite que possible. Une fois l'air nettoyé et à condition qu'aucun capteur ne soit activé, l'unité passe en mode d'économie d'énergie pour réduire la consommation d'énergie et prolonger la durée de vie des filtres.

Une fois le mode Silencieux sélectionné, l'indicateur Silencieux du panneau de commande s'allume en bleu lorsque le panneau d'accès est ouvert. Le purificateur fonctionne à des vitesses réduites afin d'éliminer les contaminants de la pièce le plus silencieusement possible. Une fois l'air nettoyé et à condition qu'aucun capteur ne soit activé, l'unité passe en mode d'économie d'énergie pour réduire la consommation d'énergie et prolonger la durée de vie des filtres.

NETTOYAGE :

- Nettoyer l'unité selon le besoin en l'essuyant avec un chiffon doux et sec. Pour les taches tenaces, utiliser un chiffon humecté d'eau tiède.
- Ne pas utiliser de liquides volatils comme le benzène, les diluants pour peinture, ni de poudre à récurer ou autres nettoyants, car cela pourrait endommager la surface de l'unité.
- Nettoyer les événements d'entrée et de sortie en les essuyant avec un chiffon doux et sec.

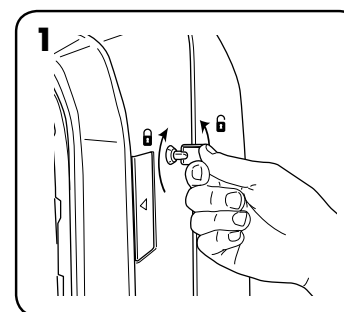
INDICATEURS DE REMPLACEMENT DES FILTRES :

Les indicateurs de remplacement des filtres indiquent le moment où les filtres HEPA et/ou à charbon actif avec préfiltre doivent être remplacés. La période de remplacement varie en fonction des heures d'utilisation ainsi que de la qualité et du flux de l'air. Toutefois, dans des conditions d'utilisation normales, la plupart des filtres HEPA doivent être remplacés tous les 2 ans et les filtres à charbon avec préfiltre tous les 6 mois. Tout indicateur de remplacement de filtre HEPA, CHARBON ACTIF or ACCESSOIRE nécessitant un remplacement affiche la couleur suivante :

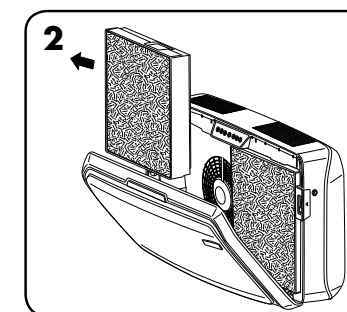
- Clignotement en rouge = filtre de DROITE plein à 90 %
- Clignotement en orange = filtre de GAUCHE plein à 90 %
- Clignotement en rouge, Pause, clignotement en orange, Pause = filtres de DROITE et de GAUCHE pleins à 90 %
- Rouge = Remplacer le filtre de DROITE
- Orange = Remplacer le filtre de GAUCHE
- Rouge alternant avec orange = Remplacer les filtres de Droite et de Gauche

Ne pas nettoyer ni réutiliser n'importe quel filtre. Cela aurait un impact sur leur efficacité. Utiliser uniquement des filtres de rechange de marque AeraMax® PRO. Sinon, l'unité ne fonctionnera pas.

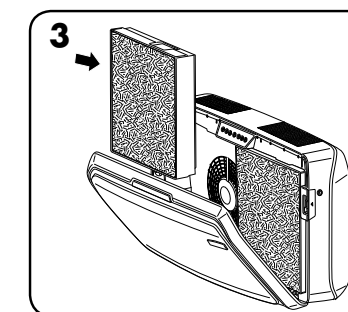
PROCÉDURE DE REMPLACEMENT DES FILTRES :



Déverrouiller le panneau d'accès : pour déverrouiller, insérer la clé fournie et la faire tourner d'un quart de tour dans le sens antihoraire.



Ouvrir le panneau d'accès frontal en appuyant sur les loquets situés des deux côtés de l'unité. Laisser le panneau s'ouvrir complètement. Retirer les filtres à remplacer.



Sortir les nouveaux filtres de leur emballage et les réinstaller.

REEMPLACEMENT D'UN FILTRE :

Lors de l'installation d'un nouveau filtre, l'unité détecte automatiquement le type de filtre mais vous devez réinitialiser manuellement les indicateurs de remplacement du filtre. Pour réinitialiser n'importe lequel des indicateurs de remplacement des filtres, suivre la procédure ci-dessous :

- 1 Appuyer sur l'indicateur allumé et le maintenir enfoncé pendant trois secondes jusqu'à ce qu'un bip se fasse entendre et que l'indicateur clignote en vert.
- 2 Détacher son doigt de l'indicateur.
- 3 Appuyer sur l'indicateur allumé et le maintenir enfoncé pendant trois secondes jusqu'à ce qu'un bip se fasse entendre et que l'indicateur clignote en vert.

Remarque : Si l'étape trois ne s'achève moins de 10 secondes après l'achèvement de l'étape 1, le voyant indicateur ne sera pas réinitialisé.

DÉPANNAGE

PROBLÈME :	SOLUTION PROBABLE :
Le système de contrôle de la qualité de l'air ne parvient pas à démarrer.	<ul style="list-style-type: none"> • S'assurer que l'unité est connectée à un bloc d'alimentation. • S'assurer que les filtres sont bien des filtres AeraMax® PRO authentiques, car l'unité ne peut pas fonctionner avec des filtres d'autres marques. IMPORTANT : S'assurer que la zone de détection des filtres sur le filtre de remplacement AeraMax® PRO authentique s'aligne avec la fenêtre dans le cadre du filtre. • Consulter la section « Réinstallation des filtres » pour en savoir plus. • S'assurer que le panneau d'accès frontal est complètement fermé. • S'assurer que le commutateur d'alimentation est à la position de mise en marche
L'unité émet un faible bruit semblable au mécanisme d'une horloge.	<ul style="list-style-type: none"> • Ceci indique que l'ionisateur bipolaire « PlasmaTRUE™ » fonctionne.
L'indicateur de remplacement des filtres HEPA et/ou à charbon actif reste allumé après le remplacement des filtres.	<ul style="list-style-type: none"> • Répéter la procédure de réinitialisation des voyants des filtres.

* Para obtener una copia del manual visite www.aeramaxpro.com

INSTRUCCIONES DE SEGURIDAD / ADVERTENCIA

Gracias por adquirir el AeraMax® PRO AM IV.

Lea y guarde estas instrucciones. Lea cuidadosamente antes de intentar ensamblar, instalar, operar o mantener este producto. Protéjase a sí mismo y a los demás mediante el cumplimiento de toda la información de seguridad. El incumplimiento de las instrucciones podría resultar en lesiones personales y/o daños a la propiedad. Guarde las instrucciones para referencia futura.

PRECAUCIONES E INSTRUCCIONES IMPORTANTES PARA USAR EL PURIFICADOR DE AIRE

ADVERTENCIA: Siga las instrucciones de este manual a fin de disminuir el riesgo de choque eléctrico, cortocircuito o incendio:

- No use este purificador de aire como única protección contra los contaminantes dañinos.
- Use la unidad solo de la manera indicada por el fabricante. Si tiene alguna pregunta, póngase en contacto con el fabricante.
- El trabajo de instalación y el cableado eléctrico deben ser realizados por personal capacitado. Todo el trabajo de instalación eléctrica debe ser realizada y llevada a cabo de acuerdo con los códigos y reglamentos federales, estatales y locales.
- Antes de reparar o limpiar la unidad, desconecte la alimentación de energía del panel de servicio. Bloquee el panel de servicio o coloque una etiqueta de advertencia para evitar que la corriente se encienda de nuevo accidentalmente.
- El sistema de control de calidad de aire AeraMax® PRO debe ser conectado a tierra.
- Utilice únicamente la fuente eléctrica (voltaje y frecuencia) especificada para el modelo de purificador de aire que se está instalando.
- No obstruya la entrada ni la salida de aire del purificador de aire.
- Al perforar la superficie de montaje, no dañe el cableado eléctrico ni otras características ocultas.
- No utilice la unidad sin los filtros instalados.
- No lavar ni reutilizar los filtros.
- No utilice accesorios ni filtros que no sean marca AeraMax® PRO, ya que la unidad no funcionará.
- No rocíe insecticidas sobre la unidad.
- No use detergente para limpiar la unidad.
- No introduzca los dedos ni objetos extraños en la entrada o la salida de aire.
- No utilice la unidad para otro fin que no sea la purificación de aire.

GARANTÍA LIMITADA DEL PRODUCTO

Garantía limitada: Fellowes, Inc. ("Fellowes") garantiza que el sistema de control de calidad del aire AeraMax® PRO (el "Producto") no contiene defectos de materiales ni mano de obra durante el período indicado a continuación.

- Para unidades de PC solamente: Los contadores de partículas y la pantalla de visualización por un período de tres (3) años a partir de la fecha de compra original del Producto.
- Para unidades estándar y de PC: Todas las otras partes por un período de cinco (5) años a partir de la fecha de compra original del Producto.

En el caso de que el producto se instale en una construcción nueva, el período de garantía comenzará en la fecha del permiso de ocupación o un año después de la fecha de compra, lo que ocurra primero. Si se encuentra algún defecto en cualquiera de las piezas durante el período de garantía, la única y exclusiva solución será la reparación o el cambio de la pieza defectuosa, a criterio y cuenta de Fellowes. Esta garantía no cubre los daños producidos por el uso de filtros que no han sido aprobados por Fellowes o por no seguir el calendario de reemplazos recomendado. Esta garantía no rige para casos de abuso, uso indebido, incapacidad de cumplir con las normas de uso del producto, operación mediante una fuente de energía indebida (distinta a la que sale en la etiqueta) o reparaciones no autorizadas. Fellowes se reserva el derecho de cobrar a los consumidores los costos adicionales que Fellowes tenga para suministrar piezas o servicios fuera del país en el que un revendedor autorizado haya vendido originalmente el producto. Esta garantía no cubre los filtros reemplazables. En el caso de que el producto no esté con acceso fácil para el personal de servicio Fellowes designado, Fellowes se reserva el derecho de suministrar al cliente las piezas de repuesto o los productos en la plena satisfacción de sus obligaciones bajo esta garantía y las obligaciones de servicio. **POR MEDIO DEL PRESENTE, TODA GARANTÍA IMPLÍCITA, INCLUIDA LA GARANTÍA DE COMERCIABILIDAD O ADAPTABILIDAD PARA UN PROPÓSITO ESPECÍFICO, SE LIMITA AL PERÍODO DE DURACIÓN CORRESPONDIENTE DE LA GARANTÍA CONFERIDA ANTERIORMENTE.** En ningún caso, Fellowes será responsable de cualquier daño directo que pueda atribuirse a este producto. Esta garantía le confiere derechos legales específicos. La duración y los términos y condiciones de esta garantía son válidos en todo el mundo, excepto en los lugares donde la legislación local exija limitaciones, restricciones o condiciones diferentes.

CONTENIDO DEL PAQUETE

- Sistema de control de calidad de aire AeraMax® PRO:
- Filtros True HEPA con tratamiento antimicrobiano AeraSafe™ (2 filtros)
- Filtro de carbón activado con prefiltro (2 de cada filtro)
- Llaves para cierre del panel frontal (2)
- Plantilla de montaje
- Tornillos de cabeza Phillips: M6 x 50mm (4)
- Anclajes de mampostería: 10mm OD
- Información de registro

ESPECIFICACIONES DEL PRODUCTO

AeraMax® PRO AM IV	
Tamaño (Alto X Ancho X Profundidad)	19,6 x 34,7 x 9 pulgadas / 49,7 x 88,1 x 22,8 cm
Peso del sistema (filtros incluidos)	33,3 libras. / 15,1 kg
Tensión requerida:	120V, 60Hz, 2A
Consumo de energía (5 velocidades del ventilador)	8, 12, 18, 35, 166 vatios
Entrega de aire (5 velocidades del ventilador)	153, 186, 224, 280, 440 CFM
Decibeles	42, 44, 51, 53, 68 dB
Pantalla	Táctil capacitiva, sólo acceso interno
Sensores	EnviroSmart™
Modos de funcionamiento controlados por sensor	2 modos principales: modo normal y modo silencioso
Filtros suministrados	2 Filtros True HEPA con tratamiento antimicrobiano AeraSafe™ con una vida media estimada del filtro de 1 año, 2 Filtros de carbón activado con prefiltro, con una media vida calculada del filtro de 6 meses.
Sistema de limpieza	El filtro de alta eficiencia para partículas de aire (HEPA) tiene una eficiencia del 99,97 % y partículas en el aire de 0,3 micras. El filtro de carbón adsorbe el mal olor y los compuestos orgánicos volátiles, con el ionizador bipolar PlasmaTRUE™.
Color	<ul style="list-style-type: none"> • Acero (artículo núm. 9416301), • Blanco (artículo núm. 9446201), • Grafito (artículo núm. 9446301), • Se dispone de acabado personalizado, llame para más detalles

FILTROS DE REPUESTO

HEPA	Repuesto de filtro True HEPA con tratamiento antimicrobiano AeraSafe™ Vida útil promedio del filtro de 2 años: 9416601 – paquete de 2 unidades
Carbono	Filtro de repuesto carbón activado granular con prefiltro. Vida útil promedio del filtro de 6 años: 9416501 – paquete de 4 unidades

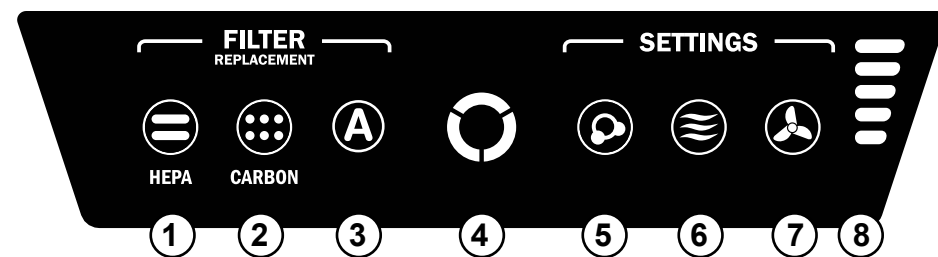
Para obtener otro filtro de repuesto e información sobre accesorios visite: www.aeramaxpro.com

INFORMACIÓN PARA EL USUARIO

Este equipo ha estado sujeto a pruebas y cumple con los límites de dispositivo digital Clase B, conforme a la sección 15 de las Normas de la FCC. Dichos límites se han diseñado para proporcionar una protección razonable contra la interferencia dañina en instalaciones residenciales. Este equipo genera, usa y puede irradiar energía de radiofrecuencia y, si no se instala y usa conforme a las instrucciones, puede ocasionar interferencia dañina en las comunicaciones de radio. No obstante, no se garantiza que no ocurran interferencias en una instalación en particular. Si este equipo provoca interferencias dañinas a la recepción de radio o televisión, que se puede determinar al encender y apagar el equipo, se recomienda al usuario intentar corregir la interferencia a través de la implementación de una o más de las siguientes medidas:

- Cambie la orientación o la ubicación de la antena de recepción.
- Aumente la separación entre el equipo y el receptor.
- Conecte el equipo a la toma de un circuito que no sea a la que está conectado el receptor.
- Consulte al distribuidor o a un técnico de radio/TV especializado para obtener ayuda.

ADVERTENCIA: Los cambios o las modificaciones que no cuenten con la aprobación expresa del fabricante pueden anular la autorización al usuario para utilizar el equipo.



NOTA: después de que la unidad se enciende, la luz "AQ" parpadeará durante unos minutos mientras el sistema se autocalibra.

- 1 **INDICADOR DE REEMPLAZO DEL FILTRO HEPA:** este indicador mostrará su estado cuando el panel de acceso está abierto o cerrado. Si la luz es roja, indica que el filtro necesita ser reemplazado. El período para reemplazo varía según las horas de uso, la calidad del aire y la ubicación de la unidad. Para obtener descripciones de indicadores de reemplazo del filtro vea la sección *INDICADORES DE REEMPLAZO DEL FILTRO*.
- 2 **INDICADOR DE REEMPLAZO DEL FILTRO DE CARBONO:** este indicador mostrará su estado cuando el panel de acceso está abierto o cerrado. Si la luz es roja, indica que el filtro necesita ser reemplazado. El período para reemplazo varía según las horas de uso, la calidad del aire y la ubicación de la unidad. Para obtener descripciones de indicadores de reemplazo del filtro vea la sección *INDICADORES DE REEMPLAZO DEL FILTRO*.
- 3 **INDICADOR DE ACCESORIOS:** este indicador mostrará su estado cuando el panel de acceso esté abierto o cerrado. Este indicador sólo se utiliza si un filtro de accesorio se encuentra instalado en la unidad. Si la luz es roja, indica que el filtro necesita ser reemplazado. El período para reemplazo varía según las horas de uso, la calidad del aire y la ubicación de la unidad. Para obtener descripciones de indicadores de reemplazo del filtro vea la sección *INDICADORES DE REEMPLAZO DEL FILTRO*.
- 4 **SENSOR DE CALIDAD DEL AIRE:** este indicador mostrará su estado cuando el panel de acceso está abierto o cerrado. Este indicador controla la calidad del aire y ajusta la velocidad del ventilador para mantener el aire purificado. Las luces azul, ámbar y roja indican la pureza del aire.
- 5 **TECNOLOGÍA PlasmaTRUE™:** este indicador mostrará su estado cuando el panel de acceso está abierto o cerrado. Crea un campo ionizado para ayudar a eliminar de forma segura los contaminantes atmosféricos. Para encender y apagar la TECNOLOGÍA PlasmaTRUE™ mantenga presionado el indicador PLASMA. Se encenderá una luz azul cuando la tecnología PlasmaTRUE™ esté habilitada. Para desactivar la TECNOLOGÍA PlasmaTRUE™ mantenga pulsada el indicador "Plasma" hasta que se apague la luz.
- 6 **MODO AUTOMÁTICO:** para seleccionar este modo, mantenga presionado el botón hasta que se ilumine el icono. Este modo usa la tecnología EnviroSmart™ para supervisar la calidad del aire, el movimiento y el nivel de ruido para ajustar la velocidad del ventilador y así mantener el aire purificado lo más pronto posible. Este botón también incluye el MODO SILENCIOSO. Para seleccionarlo, manténgalo presionado hasta que la luz se torne verde. La máquina continuará usando la tecnología EnviroSmart™, pero solo usará las 3 velocidades más bajas y más silenciosas de las 5 velocidades del ventilador.
- 7 **MODO MANUAL:** para seleccionar este modo, presione el botón hasta que se ilumine el icono. Este modo le permite elegir una de las cinco velocidades del ventilador y mantener la unidad en esta velocidad hasta que se seleccione el MODO AUTOMÁTICO nuevamente. Los sensores internos no ajustarán la velocidad del ventilador en este modo.
- 8 **INDICADORES DE VELOCIDAD DEL VENTILADOR:** El ventilador tiene cinco velocidades y puede alcanzar la velocidad turbo para limpiar la habitación en caso de que existan niveles elevados de contaminantes. El número de barras iluminadas indica la velocidad del ventilador.

- | | |
|-------------|-----------|
| 1 – susurro | 4 – alta |
| 2 – baja | 5 – turbo |
| 3 – media | |

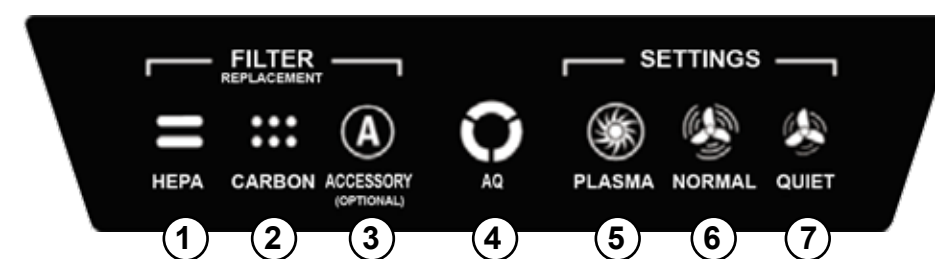
FUNCIONAMIENTO

El purificador de aire funciona de forma continua en modo automático; el usuario puede seleccionar qué preferencia le gustaría que el purificador use según la ubicación o el funcionamiento deseado del purificador de aire. El purificador operará con una gama de velocidades minimizada, que no exceda el nivel máximo seleccionado, con el fin de que funcione en silencio mientras que limpia los contaminantes de la habitación. Una vez que el aire se limpia y que no haya sensores activados, la unidad disminuye al modo de ahorro de energía para reducir el consumo de energía y extender la vida de los filtros.

Si selecciona Modo Automático, la luz del indicador de Modo Automático será azul. Este modo usa la tecnología EnviroSmart™ para supervisar la calidad del aire, el movimiento y el nivel de ruido para ajustar la velocidad del ventilador y así mantener el aire purificado lo más pronto posible. Una vez que el aire se limpia y cuando no hay sensores activados, la unidad disminuye al modo de ahorro de energía para reducir el consumo de energía y extender la vida de los filtros.

Si selecciona Modo Silencioso, la luz del indicador de Modo Automático será verde. La máquina continuará usando la tecnología EnviroSmart™, pero solo usará las 3 velocidades más bajas y más silenciosas de las 5 velocidades del ventilador.

Si selecciona Modo Manual, la luz del indicador de Modo Automático será azul. Este modo lo permite elegir una de las cinco velocidades del ventilador y mantener la unidad en esta velocidad hasta que se seleccione el Modo automático. Los sensores internos NO ajustarán la velocidad del ventilador en este modo.



NOTA: después de que la unidad se enciende, la luz "AQ" parpadeará durante unos minutos mientras el sistema se autocalibra.

- 1 **INDICADOR DE REEMPLAZO DEL FILTRO HEPA:** este indicador mostrará su estado cuando el panel de acceso está abierto o cerrado. Si la luz es roja, indica que el filtro necesita ser reemplazado. El período para reemplazo varía según las horas de uso, la calidad del aire y la ubicación de la unidad. Para obtener descripciones de indicadores de reemplazo del filtro vea la sección *INDICADORES DE REEMPLAZO DEL FILTRO*.
- 2 **INDICADOR DE REEMPLAZO DEL FILTRO DE CARBONO:** este indicador mostrará su estado cuando el panel de acceso está abierto o cerrado. Si la luz es roja, indica que el filtro necesita ser reemplazado. El período para reemplazo varía según las horas de uso, la calidad del aire y la ubicación de la unidad. Para obtener descripciones de indicadores de reemplazo del filtro vea la sección *INDICADORES DE REEMPLAZO DEL FILTRO*.
- 3 **INDICADOR DE ACCESORIOS:** este indicador mostrará su estado cuando el panel de acceso esté abierto o cerrado. Este indicador sólo se utiliza si un filtro de accesorio se encuentra instalado en la unidad. Si la luz es roja, indica que el filtro necesita ser reemplazado. El período para reemplazo varía según las horas de uso, la calidad del aire y la ubicación de la unidad. Para obtener descripciones de indicadores de reemplazo del filtro vea la sección *INDICADORES DE REEMPLAZO DEL FILTRO*.
- 4 **SENSOR DE CALIDAD DEL AIRE:** este indicador mostrará su estado cuando el panel de acceso está abierto o cerrado. Este indicador controla la calidad del aire y ajusta la velocidad del ventilador para mantener el aire purificado. Las luces azul, ámbar y roja indican la pureza del aire.
- 5 **TECNOLOGÍA PlasmaTRUE™:** este indicador mostrará su estado cuando el panel de acceso está abierto o cerrado. Crea un campo ionizado para ayudar a eliminar de forma segura los contaminantes atmosféricos. Para encender y apagar la TECNOLOGÍA PlasmaTRUE™ mantenga presionado el indicador PLASMA. Se encenderá una luz azul cuando la tecnología PlasmaTRUE™ esté habilitada. Para desactivar la TECNOLOGÍA PlasmaTRUE™ mantenga pulsada el indicador "Plasma" hasta que se apague la luz.
- 6 **MODO NORMAL:** seleccione este modo para los baños, cafeterías, áreas de ejercicio físico y otras áreas más ruidosas ya que la purificación rápida se inicia cuando la habitación está ocupada y/o hay presencia de fuertes contaminantes en el aire. Para seleccionar, mantenga presionado el indicador "Normal" hasta que el icono se ilumine. Este modo controla la calidad del aire, el movimiento y el nivel de ruido para ajustar la velocidad del ventilador con el fin de mantener su aire purificado lo más rápido posible. El ventilador puede alcanzar la velocidad turbo para limpiar la habitación en el caso de altos niveles de contaminantes.
- 7 **MODO SILENCIOSO:** este modo utiliza las 3 velocidades de ventilador más bajas y silenciosas. Seleccione este modo para aulas, salas de reunión, oficinas y otras zonas más tranquilas ya que la unidad no funcionará más rápido que la velocidad máxima establecida. Para seleccionar, presione y mantenga presionado el indicador "Quiet (Silencioso)" hasta que el icono se ilumine. Presione varias veces más para cambiar entre las velocidades máximas en este modo. Hay tres niveles diferentes; cada nivel representa una velocidad del ventilador máxima que puede alcanzar la unidad.
 - Nivel 1 = La velocidad más baja, la unidad emitirá un pitido cuando se haya seleccionado este modo y la unidad no funcionará más rápido que esta velocidad más baja.
 - Nivel 2 = Baja velocidad, la unidad sonará dos veces cuando se haya seleccionado este modo y la unidad no funcionará más rápido que la velocidad baja.
 - Nivel 3 = Velocidad media, la unidad sonará tres veces cuando se haya seleccionado este modo y la unidad no funcionará más rápido que la velocidad media.

El modo silencioso controla la calidad del aire, el movimiento y el nivel de ruido para ajustar la velocidad del ventilador con el fin de mantener el aire purificado tan eficientemente como sea posible mientras no supere el nivel de velocidad máxima seleccionado.

FUNCIONAMIENTO

El purificador de aire funciona de forma continua en modo automático; el usuario puede seleccionar qué preferencia le gustaría que el purificador use según la ubicación o el funcionamiento deseado del purificador de aire. El purificador operará con una gama de velocidades minimizada, que no exceda el nivel máximo seleccionado, con el fin de que funcione en silencio mientras que limpia los contaminantes de la habitación. Una vez que el aire se limpia y que no haya sensores activados, la unidad disminuye al modo de ahorro de energía para reducir el consumo de energía y extender la vida de los filtros.

Cuando se selecciona el modo normal, el indicador Normal en el panel de control tendrá el color azul cuando el panel de acceso esté abierto. El purificador operará con su gama completa de velocidades con el fin de limpiar la habitación de contaminantes lo más rápido posible. Una vez que el aire se limpia y cuando no hay sensores activados, la unidad disminuye al modo de ahorro de energía para reducir el consumo de energía y extender la vida de los filtros.

Cuando se selecciona el modo silencioso, el indicador Quiet (Silencioso) del panel de control se encenderá en color azul cuando el panel de acceso esté abierto. El purificador funcionará con gama minimizada de velocidades a fin de mantenerse lo más silencioso posible mientras limpia la habitación de los contaminantes. Una vez que el aire se limpia y que no haya sensores activados, la unidad disminuye al modo de ahorro de energía para reducir el consumo de energía y extender la vida de los filtros.

CUIDADO Y MANTENIMIENTO

LIMPIEZA:

- Limpie la unidad según sea necesario con un trapo suave y seco; en el caso de manchas rebeldes, use un trapo humedecido con agua tibia.
- No use líquidos volátiles como benceno, diluyente de pintura o polvo abrasivo, ya que pueden dañar la superficie de la unidad.
- Limpie las rejillas de ventilación de entrada y escape frotando con un paño seco y suave.

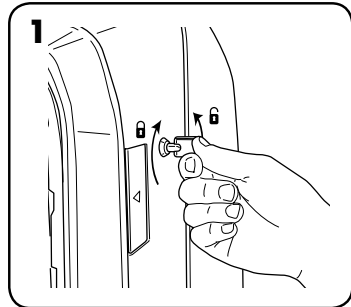
INDICADORES DE REEMPLAZO DE FILTRO:

Los indicadores de reemplazo del filtro notificarán cuándo se debe cambiar el filtro True HEPA o el filtro de carbón. El período de reemplazo varía según las horas de uso, la calidad del aire y la ubicación de la unidad. No obstante, en condiciones normales de uso, la mayoría de los filtros HEPA necesitan ser reemplazados anualmente, y los filtros de carbón cada tres meses. Cuando un filtro se debe reemplazar se mostrará el siguiente color en los HEPA, indicadores CARBONO o accesorio de reemplazo de filtro:

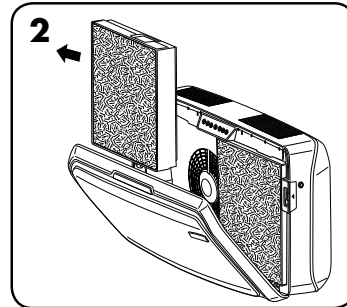
Rojo intermitente = filtro DERECHO al 90 % de su capacidad
Ámbar intermitente = filtro IZQUIERDO al 90 % de su capacidad
Flash rojo, Pausa, Flash ámbar, Pausa = Filtros derecho e IZQUIERDO al 90 % de su capacidad
Rojo = Cambiar el filtro DERECHO
Ámbar = Cambiar el filtro IZQUIERDO
Rojo y ámbar alternante = Reemplace los filtros derecho e izquierdo

No lavar ni reutilizar los filtros; no funcionarán con eficacia. Utilice solo filtros de repuesto de marca AeraMax[®] PRO ya que las unidades no funcionarán con cualquier otro reemplazo.

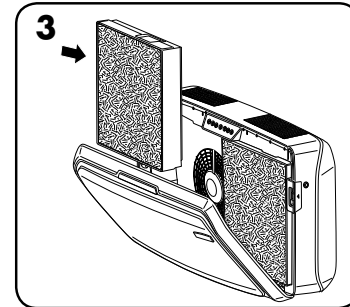
PROCEDIMIENTO DE REEMPLAZO DEL FILTRO:



1 Desbloquear el panel de acceso: para desbloquear, inserte la llave suministrada y gire hacia la izquierda ¼ de vuelta.



2 Abra el panel frontal presionando los pestillos en ambos lados de la unidad. Deje que el panel se abra completamente. Retire el o los filtros que se reemplazarán.



3 Retire cualquier envoltura de embalaje de los nuevos filtros y vuelva a instalarlos.

Reemplazo de los filtros

Al instalar un nuevo filtro, la unidad detectará automáticamente el tipo de filtro, pero el usuario tendrá que restablecer manualmente los indicadores de sustitución del filtro.

Para reiniciar un indicador intermitente de reemplazo de filtro utilice el siguiente procedimiento:

- 1 Mantenga presionado el indicador iluminado durante tres segundos hasta que se escuche un pitido y el indicador parpadee en verde.
- 2 Saque el dedo del indicador.
- 3 Mantenga presionado el indicador durante tres segundos hasta que se escuche un pitido y el indicador luminoso se apague.

Nota: Si no completa el tercer paso dentro de los 10 segundos de completar el paso 1, la luz indicadora no se restablecerá.

SOLUCIÓN DE PROBLEMAS

PROBLEMA:	POSIBLE SOLUCIÓN:
El sistema de control de la calidad del aire no se puede iniciar.	<ul style="list-style-type: none">• Revise para asegurarse de que la unidad esté conectada a la fuente de alimentación.• Asegúrese de que los filtros AeraMax[®] PRO sean originales, ya que la unidad no funcionará con otras marcas. IMPORTANTE: Asegúrese de que el área de detección de filtro en el filtro de repuesto original AeraMax[®] PRO esté alineado con la ventana en el marco del filtro.• Repase la sección "Reinstalación de filtros" para obtener más detalles.• Asegúrese de que el panel de acceso frontal esté cerrado por completo.• Asegúrese de que el interruptor de energía esté encendido.
La unidad hace un sonido casi imperceptible, similar al de un reloj.	<ul style="list-style-type: none">• Esto indica que el ionizador bipolar "PlasmaTRUE™" está trabajando.
La luz indicadora de reemplazo del filtro de carbono y/o HEPA permanecerá encendida después de sustituir el o los filtros.	<ul style="list-style-type: none">• Repita las instrucciones de restablecimiento de la luz del filtro.

