



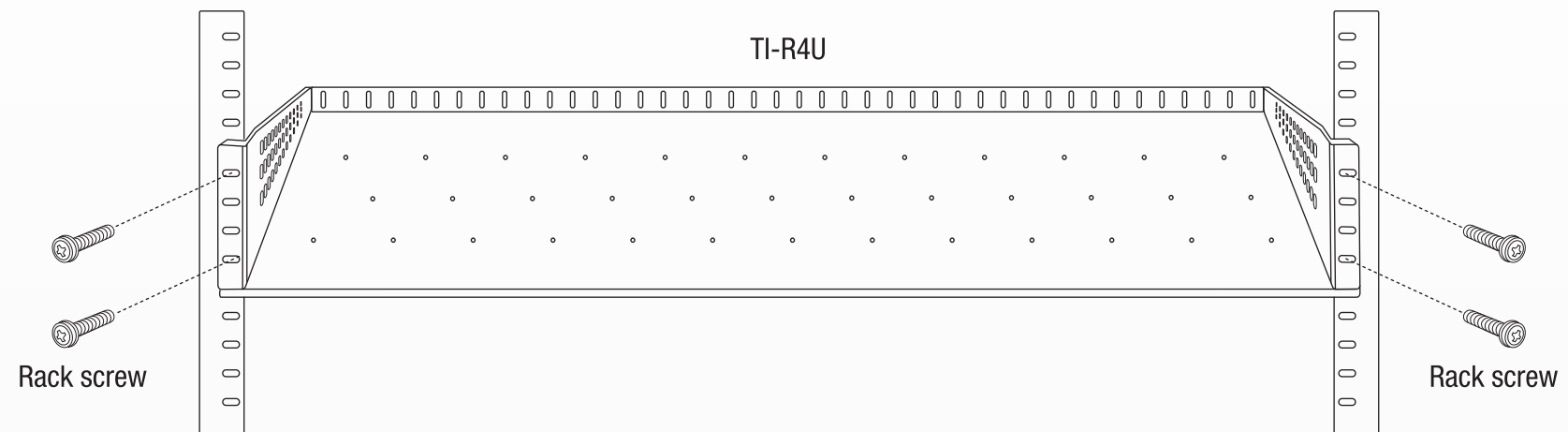
Quick Installation Guide

19" Rackmount Industrial Power Supply
Vertical Chassis
TI-R4U
1000W, 48V DC, 21A AC to DC Industrial
Power Supply with PFC Function
TI-RSP100048

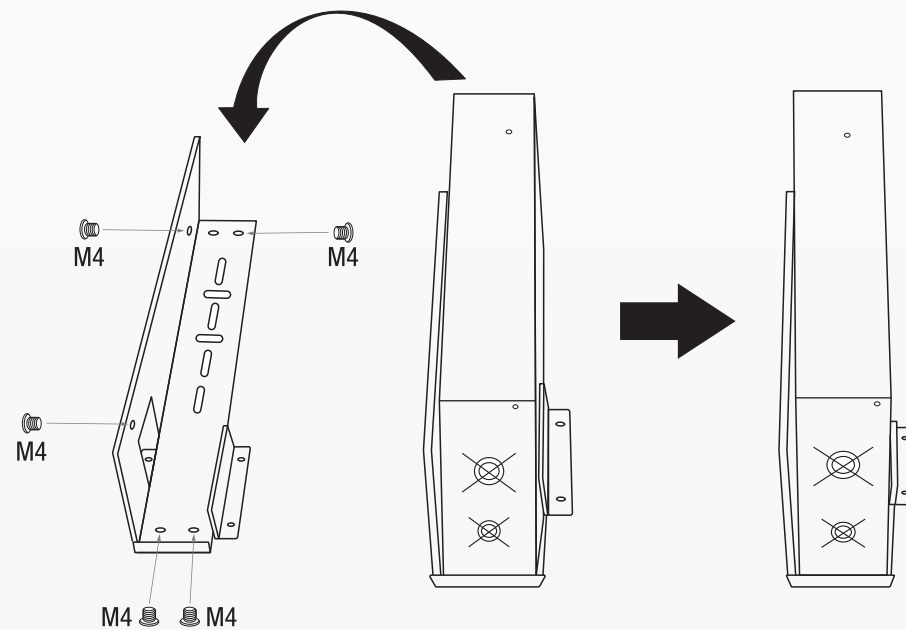
Mounting the device

1. Use 4 Rack screws to mount plate in the bracket.

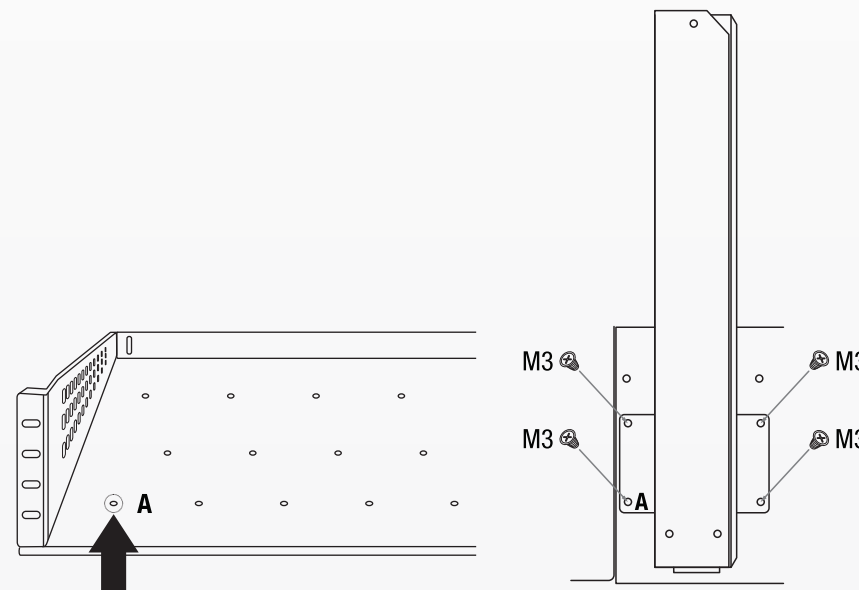
Note: The rack screws are not included in the package.



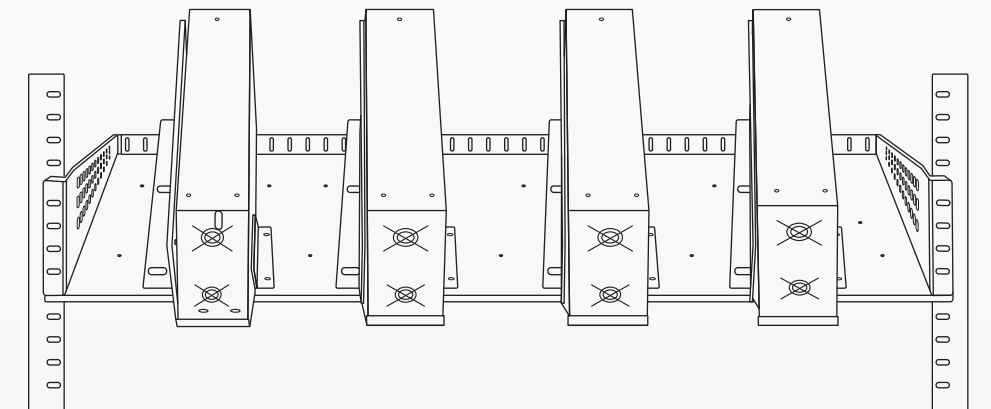
2. Use M4 screws from beside and below of the plate to hold the bracket to mount RSP-100048 power module. Each module needs to use 5 pcs M4 screws.



3. From point A inside the plate use M3 screws to fix power module in the plate. Each module needs to use 4 pcs M3 screws.

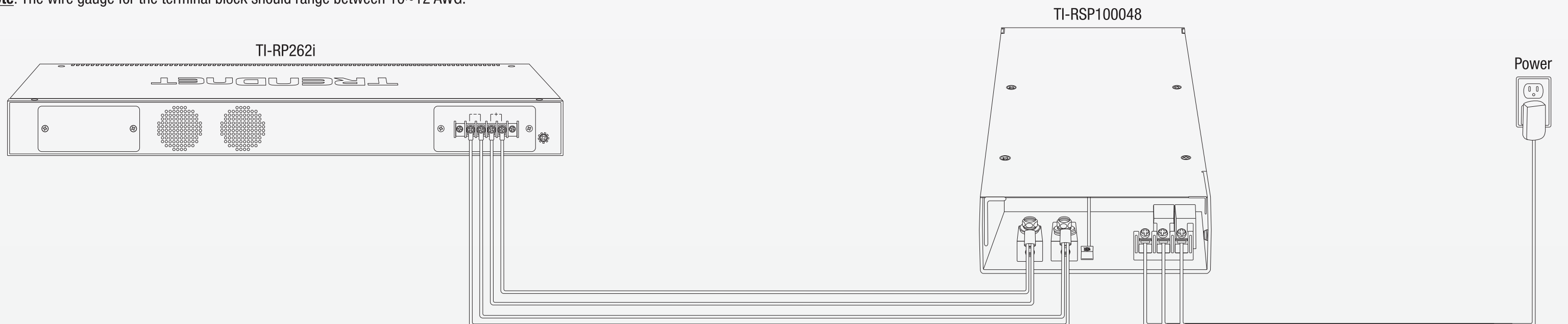


4. Up to four power supplies installation as showing below.



5. Wire the power supply.

Note: The wire gauge for the terminal block should range between 10~12 AWG.



Declaration of Conformity

TRENDNET®

Manufacturer's Name and Address

TRENDnet, Inc.
20675 Manhattan Place
Torrance, CA 90501 USA

Zwolsestraat 156 2587 WB
The Hague The Netherlands



Product Information

Model Number: TI-RSP100048
Product Name: 19" Rackmount Industrial Power Supply Vertical Chassis
1000W, 48V DC, 21A AC to DC Industrial Power Supply with PFC Function

Trade Name: TRENDnet

TRENDnet hereby declares that the product is in compliance with the essential requirements and other relevant provisions under our sole responsibility.

Safety UL 62368-1
EMC EN 55032: 2015
EN 61000-3-2: 2014 Class A
EN 61000-3-3: 2013
EN 61000-4-2:2005
EN 61000-4-3:2006+A1:2008+A2:2005
EN 61000-4-4:2012
EN 61000-4-5:2014
EN 61000-4-6:2014
EN 61000-4-8:2010
EN 61000-4-11:2004

This product is herewith confirmed to comply with the Directives.

Directives: EMC Directive 2014/30/EU
RoHS Directive 2011/65/EU
WEEE Directive 2012/19/EU
REACH Regulation (EC) No. 1907/2006
Low Voltage Directive 2014/35/EU

Person responsible for this declaration.

Place of Issue: Torrance, California, USA

Date: June 11, 2020

Name: Sonny Su

Title: Director of Technology

Signature:



Déclaration de conformité

TRENDNET®

Manufacturer's Nom et fabricant

TRENDnet, Inc.
20675 Manhattan Place
Torrance, CA 90501 USA

Zwolsestraat 156 2587 WB
The Hague The Netherlands



Détails du produit

Modèle: TI-RSP100048
Nom du produit: Châssis vertical industriel d'alimentation électrique en rack 19"
Alimentation industrielle 1000W, 48V DC, 21A AC vers DC avec fonction PFC

Nom Commercial: TRENDnet

TRENDnet déclare par la présente que le produit est conforme aux exigences essentielles et aux autres dispositions pertinentes de la Directive en vertu de notre seule responsabilité.

Sécurité UL 62368-1
CEM EN 55032: 2015
EN 61000-3-2: 2014 Class A
EN 61000-3-3: 2013
EN 61000-4-2:2005
EN 61000-4-3:2006+A1:2008+A2:2005
EN 61000-4-4:2012
EN 61000-4-5:2014
EN 61000-4-6:2014
EN 61000-4-8:2010
EN 61000-4-11:2004

Ce produit est conforme à la directives suivante.

Directives: Directive CEM 2014/30/UE
Directive RoHS 2011/65/UE
Directive WEEE 2012/19/UE
REACH Règlement (CE) N° 1907/2006
Directive LVD 2014/35/UE

Personne responsable de cette déclaration.

Lieu de délivrance: Torrance, California, USA

Date: 11 Juin, 2020

Nom: Sonny Su

Position: Director of Technology

Signature:



Certifications

This device complies with Part 15 of the FCC Rules. Operation is subject to the following two conditions:

- (1) This device may not cause harmful interference.
- (2) This device must accept any interference received. Including interference that may cause undesired operation.



Waste electrical and electronic products must not be disposed of with household waste. Please recycle where facilities exist. Check with your Local Authority or Retailer for recycling advice.

Applies to PoE Products Only: This product is to be connected only to PoE networks without routing to the outside plant.

Note

The Manufacturer is not responsible for any radio or TV interference caused by unauthorized modifications to this equipment. Such modifications could void the user's authority to operate the equipment.

Advertencia

En todos nuestros equipos se mencionan claramente las características del adaptador de alimentación necesario para su funcionamiento. El uso de un adaptador distinto al mencionado puede producir daños físicos y/o daños al equipo conectado. El adaptador de alimentación debe operar con voltaje y frecuencia de la energía eléctrica domiciliar existente en el país o zona de instalación.

Limited Warranty

TRENDnet warrants its products against defects in material and workmanship, under normal use and service. Specific warranty periods are listed on each of the respective product pages on the TRENDnet website.

Garantie Limitée

TRENDnet garantit ses produits contre les problèmes de matériel ou de fabrication, dans des conditions normales d'utilisation et de service. Les périodes de garanties précises sont mentionnées sur chacun des pages produits du site web de TRENDnet.

Eingeschränkte Garantie

TRENDnet gewährt eine Garantie für seine Produkte im Falle von Material- und Bearbeitungsdefekten, bei normaler Verwendung und Wartung. Spezielle Garantiezeiträume werden auf jeder Produktseite auf der Website von TRENDnet genannt.

Garantía limitada

TRENDnet garantiza que sus productos carecen de defectos en el material y la fabricación, en condiciones de uso y funcionamiento normales. Los periodos específicos de garantía figuran en cada una de las páginas de producto del sitio web de TRENDnet.

Ограниченная гарантия

Компания TRENDnet предоставляет гарантию на свои изделия от дефектов материалов и сборки при нормальном использовании и обслуживании. Конкретные гарантийные сроки указаны на странице каждого продукта на сайте компании TRENDnet.

Garantia Limitada

A TRENDnet garante seus produtos contra defeitos de material e mão de obra sob condições normais de uso e serviço. Os períodos de garantia específicos estão listados em cada uma das páginas dos respectivos produtos no site da TRENDnet.

Piiratud garantii

TRENDneti garantii hõlmab materjali- ja koostamisdefekte, mis ilmnevad toote tavapärase kasutamisel. Garantiiaja täpne pikkus konkreetsel tootel on leitav TRENDneti kodulehel vastava toote infolehel.

Garanzia limitata

TRENDnet garantisce i propri prodotti da difetti di materiali e manodopera, in condizioni di normale uso ed esercizio. I periodi di garanzia specifici sono elencati sulle rispettive pagine di prodotto sul sito TRENDnet.

Technical Support

If you have any questions regarding the product installation, please contact our Technical Support.

Toll free US/Canada: **1-866-845-3673**

Regional phone numbers available at www.trendnet.com/support

Product Warranty Registration

Please take a moment to register your product online. Go to TRENDnet's website at:

www.trendnet.com/register

TRENDnet

20675 Manhattan Place
Torrance, CA 90501
USA