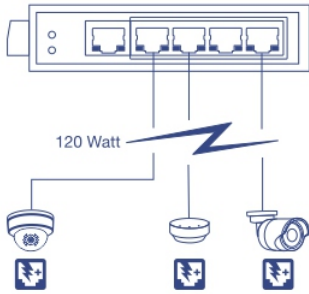


5-Port Industrial Gigabit PoE+ DIN-Rail Switch

TI-PG50 (v1.0R)

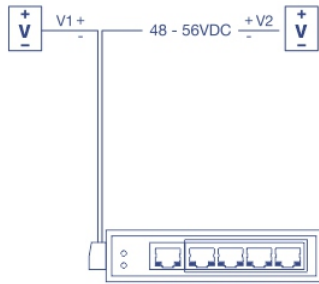
- 4 x Gigabit PoE+ ports
- 1 x Gigabit port
- 120W PoE power budget
- 10Gbps switching capacity
- Hardened IP30 rated metal switch
- Includes DIN-Rail and wall mounts
- Operating temperature range of -40° – 75° C (-40° – 167° F)
- Redundant power inputs with overload current protection
- Power supply sold separately (models: TI-S12048, TI-S24048)
- Lifetime Warranty

TRENDnet's 5-Port Industrial Gigabit PoE+ DIN-Rail Switch, model TI-PG50, has four gigabit PoE+ ports with a 120W PoE power budget. Users are able to connect four PoE+ devices to this industrial switch, while simultaneously providing a non-PoE gigabit port for connectivity to the network. The TI-PG50 industrial switch is equipped with an IP30 rated metal enclosure, designed to withstand a high degree of vibration and shock, while operating within a wide temperature range of -40° – 75° C (-40° – 167° F) for industrial environments.



PoE Power

A 120W PoE+ power budget for up to four Power over Ethernet devices with PoE+ power.



Fault Tolerance

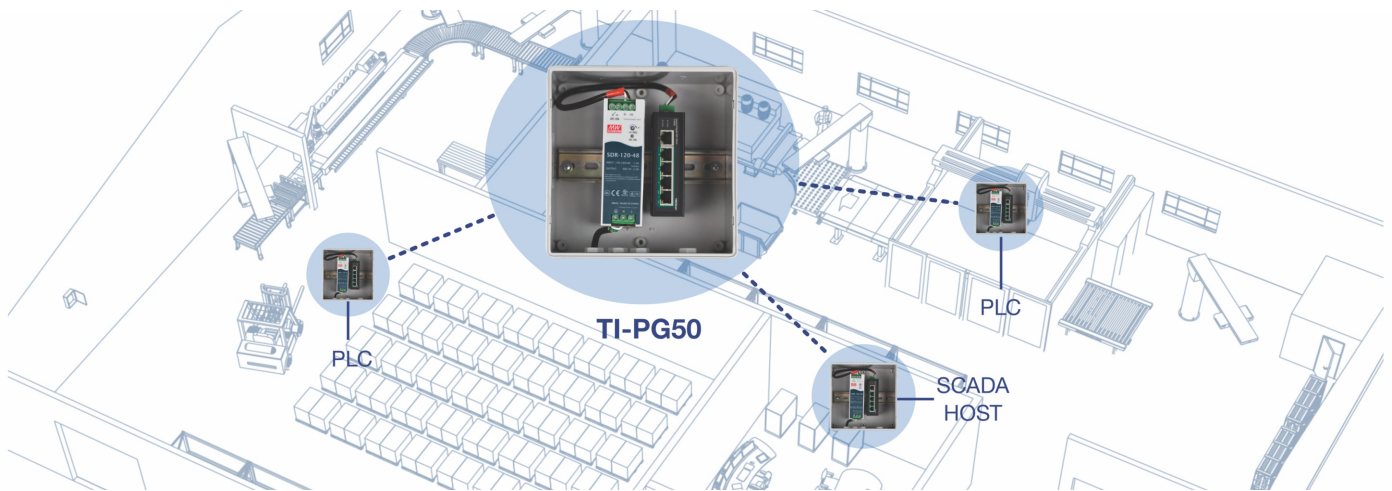
The industrial switch features redundant power inputs with overload current protection.



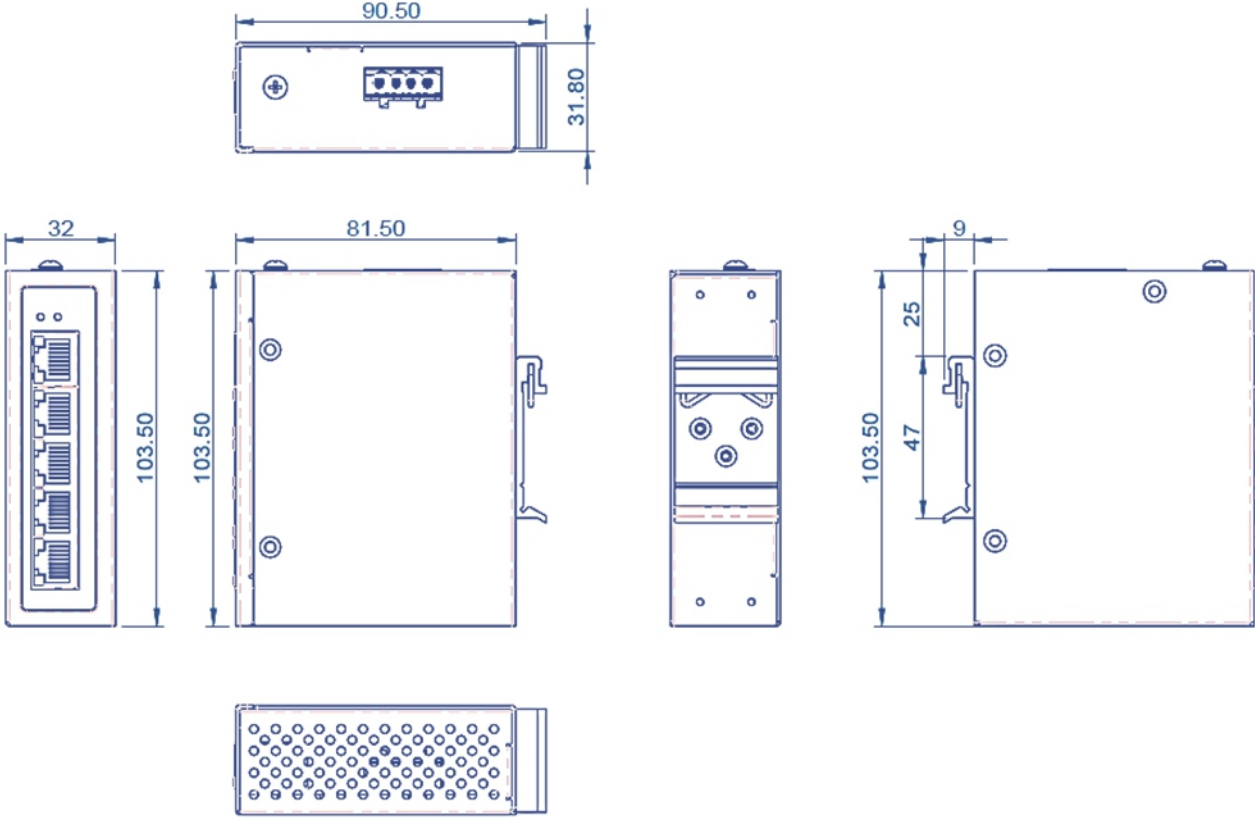
Industrial Design

Equipped with a rugged IP30 rated housing, designed to withstand a high degree of vibration and shock, and operate within a wide temperature range of -40° – 75° C (-40° – 167° F).

NETWORKING SOLUTION



DIMENSIONS (mm)



FEATURES



PoE+ Power Budget

Supplies up to 30W of PoE/PoE+ power per port on the industrial PoE switch with a 120W PoE power budget



Network Ports

4 x Gigabit PoE+ ports and 1 x Gigabit port



DIN-Rail/Wall Mounts

IP30 rated metal enclosure with included DIN-Rail and wall mount hardware



Switching Capacity

10Gbps switching capacity



Redundant Power

Redundant power inputs with overload current protection (compatible power supply sold separately models: TI-S12048 / TI-S24048)



Jumbo Frame

Sends larger packets, or Jumbo Frames (up to 9KB), for increased performance



Extreme Temperatures

Industrial switch rated for an operating temperature range of -40° – 75° C (-40° – 167° F)



Shock and Vibration Resistant

Rated for shock (EN 60068-2-27), freefall (EN 60068-2-32), and vibration (EN 60068-2-6)



Grounding Point

Grounding point on the industrial switch protects equipment from external electrical surges

SPECIFICATIONS

Standards

- IEEE 802.3
- IEEE 802.3u
- IEEE 802.3ab
- IEEE 802.3x
- IEEE 802.3af
- IEEE 802.3at

Device Interface

- 4 x Gigabit PoE+ ports
- 1 x Gigabit port
- 4-pin removable terminal block
- LED indicators
- DIN-Rail mount
- Wall mount
- Grounding point

Data Transfer Rate

- Ethernet: 10Mbps (half duplex), 20Mbps (full duplex)
- Fast Ethernet: 100Mbps (half duplex), 200Mbps (full duplex)
- Gigabit: 2000Mbps (full duplex)

Performance

- Data RAM Buffer: 128KB
- Switching Fabric: 10Gbps
- MAC Address Table: 2K entries
- Jumbo Frame: 9KB
- Forwarding rate: 7.44Mpps (64-byte packet size)

Special Features

- Hardened components rated for extreme temperatures
- Redundant power inputs
- Surge and ESD protection
- Low-profile design

Power

- Input: 48 – 56V DC
- Compatible power supply: TI-S12048, TI-S24048 (sold separately)
- Max. consumption: 2.24W (no PoE load)

PoE

- PoE budget: 120W@56V DC
- 802.3at: Up to 30W per port
- PoE Mode A: Pins 1, 2, 3, and 6 for power

Terminal Block

- Redundant power inputs, 4-pin
- Wire range: 0.34mm² to 2.5mm²
- Solid wire (AWG): 12-24/14-22
- Stranded wire (AWG): 12-24/14-22
- Torque: 5 lb. – In / 0.5Nm / 0.56Nm
- Wire strip length: 7-8mm

MTBF

- 538.451 hours

Enclosure

- IP30 rated metal enclosure
- Fanless passive cooling
- DIN-Rail mount
- Wall mount
- Grounding point
- ESD Protection: Contact: 6kV / Air: 8kV
- Surge Protection: 2kV
- Overload current protection
- Reverse polarity protection

Operating Temperature

- - 40° – 75° C (-40° – 167° F)

Operating Humidity

- Max. 95 % non-condensing

Dimensions

- 104 x 82 x 32mm (5.9 x 5.7 x 1.1 in.)

Weight

- 190g (6.7 oz.)

Certifications

- CE
- FCC
- UL
- Shock (IEC 60068-2-27)
- Freefall (IEC 60068-2-32)
- Vibration (IEC 60068-2-6)
- IEC 61000-4-2
- IEC 61000-4-4
- IEC 61000-4-5

Warranty

- Lifetime

Package Contents

- TI-PG50
- Quick Installation Guide
- Removable terminal block
- DIN-Rail and wall mount kit

TRENDnet offers a lifetime warranty for all of its metal-enclosed network switches that have been purchased in the United States/Canada on or after 1/1/2015. Cooling fan and internal power supply carry a one-year warranty.

All references to speed are for comparison purposes only. Product specifications, size, and shape are subject to change without notice, and actual product appearance may differ from that depicted herein.