



GVT-2002 Version: 1

RJ45 to SC Gigabit Media Converter, Single-Mode Fiber, 20km

The GVT-2002 SMF SC media converter is able to convert network signals between copper and fiber-optic based networks. The converter provides a 10/100/1000Base-T RJ-45 port, supports full duplex and half duplex switch connectivity and 10Base-T, 100Base-TX and 1000Base-T auto-sensing. Used in single-mode with fibre-optic cabling, this can extend a network range up to 20km.

The device features built-in Dip switches for easy converter configuration, which function on the Smart LFP (Link Fault Pass-through), allowing the converter to monitor both the fiber and copper ports for signal loss, as well as cut through and smart pass through mode.

The GVT-2002 is able to operate in temperatures from -10° up to 55° Celsius. The converter can be used as a standalone unit or as a slide-in module to the CHV-2000 19" converter rack, which can accommodate up to 14 units for use in a central wiring closet.

Key Features

- Single-mode fiber with SC connector for transmission of up to 20km
- Transfers data from 10/100/1000Base-T copper to fiber interfaces
- 9K jumbo frames to increase data transfer rates
- Built-in LFP (Link Fault Pass-through) (LLCF/LLR) Technology
- IEEE 802.3x Flow Control protects against lost packets for reliable data transmission
- Dip switches for customized configuration
- Supports low-time lag transmission
- Supports the transmission of extra-long packets up to 1.6KB
- -10°C to 55°C operating temperature range

Specifications

System Specifications

Standards & Protocols:

IEEE 802.3 10-BASE-T, Ethernet
 IEEE 802.3u 100-BASE-TX, Fast Ethernet
 IEEE 802.3ab 1000BASE-T, Gigabit Ethernet
 IEEE 802.3x Flow Control (full-duplex flow control)
 IEEE802.3z 1000Base-SX/LX,

Port:

Fiber Duplex SC (20km); RJ-45 Port CAT-5/5e Twisted Pair cable Auto MDI/MDI-X (Max to 100m) and Auto-Negotiation

**Indicator:**

PWR,TX (FDX, 100, 1000, Link/Act), FX Link/Act

Wavelength (nm):

1310nm

Transmission Method:

Store and forward (Default)

Power Input:

DC 5V/2A

Features

General:

DIP Switch 1: LFP function

DIP Switch 2 and 3 performance 4 types work mode

DIP Switch 2 and 3 is OFF = Store and forward

DIP Switch 2 is OFF, 3 is ON = Cut through mode

DIP Switch 2 is ON, 3 is OFF = Smart pass through

DIP Switch 2 and 3 is ON = Pass through mode

Performance

Operating Distance:

20km

Environment

Operating Temperature (°C):

-10 ~ 55 °C

Operating Humidity (Non-condensing):

5 ~ 90 %

Storage Temperature (°C):

-40 ~75 °C

Installation:

Desk, chassis mounted

Physical Specifications

Dimensions (W x D x H mm):

71 x 94 x 26 mm

Weight (g):

360g

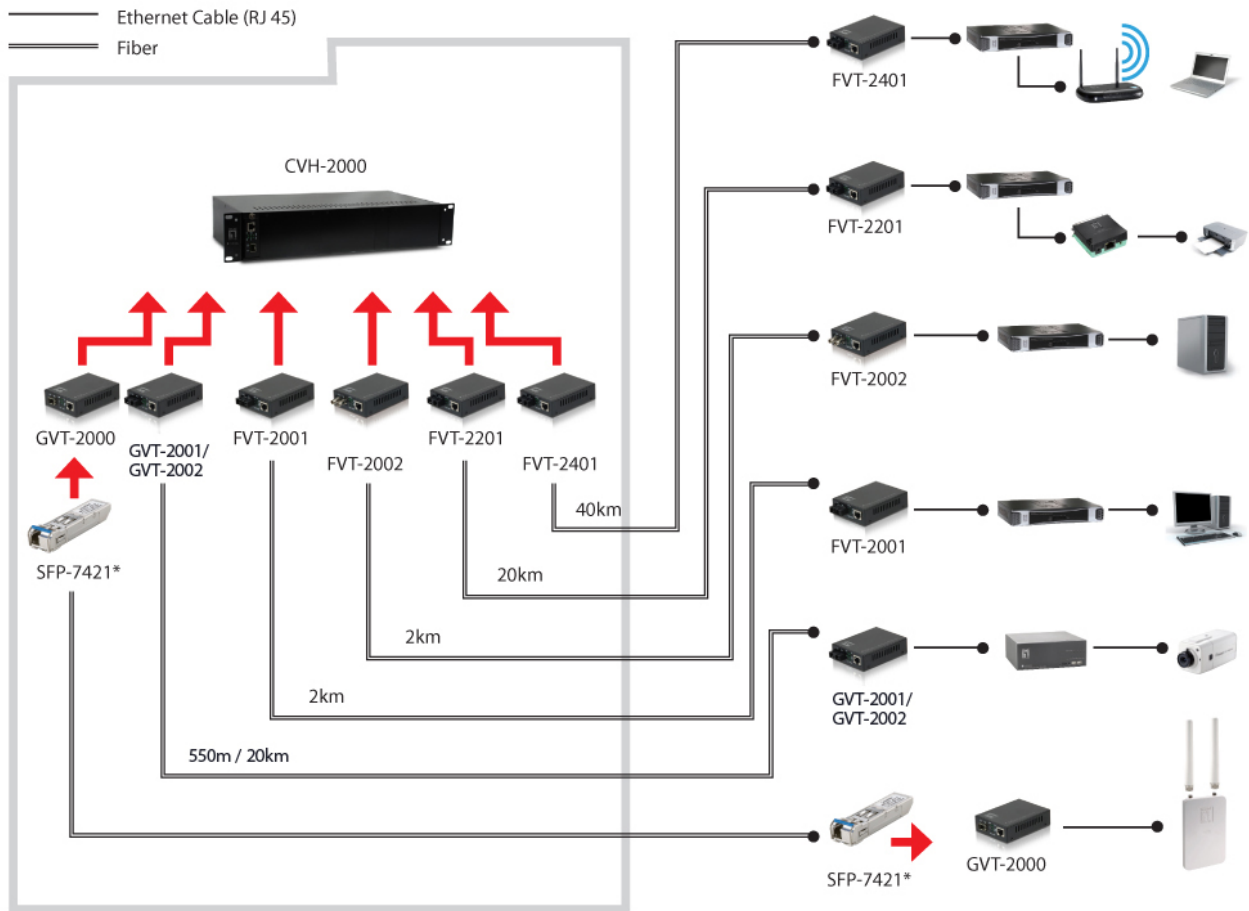
Approval and Compliance

EMI/EMS:

CE, FCC

Diagram

Dimension Diagram



*In above example diagram, converter modules at local and remote ends should be paired for proper connectivity, and the distance mainly depends on cable and transceiver selection accordingly.

Order Information

GVT-2002

Package Contents

GVT-2002
Power Adapter
Quick Installation Guide

No liability or responsibility for any errors or omissions in the content.
Specifications are subject to change without notice.
All mentioned brand names are registered trademarks and property of their owners.
Copyright © Digital Data Communications GmbH, Germany. All Rights Reserved.