

*Affordable 10GbE NAS for SMB*

# TS-431X2

**Cost-effective NAS with one integrated 10GbE SFP+ port and Cortex-A15 Annapurna Labs Alpine AL-314 quad-core 1.7GHz processor**



Quad-core processor providing enhanced performance



TS-431X2-2G  
TS-431X2-8G

**Adopt 10GbE server networking at lower costs**



Instantly take advantage of high-bandwidth 10GbE networks

**Container Station for IoT Era**



Rapidly deploy IoT apps with Container Station

**10GbE-Ready**

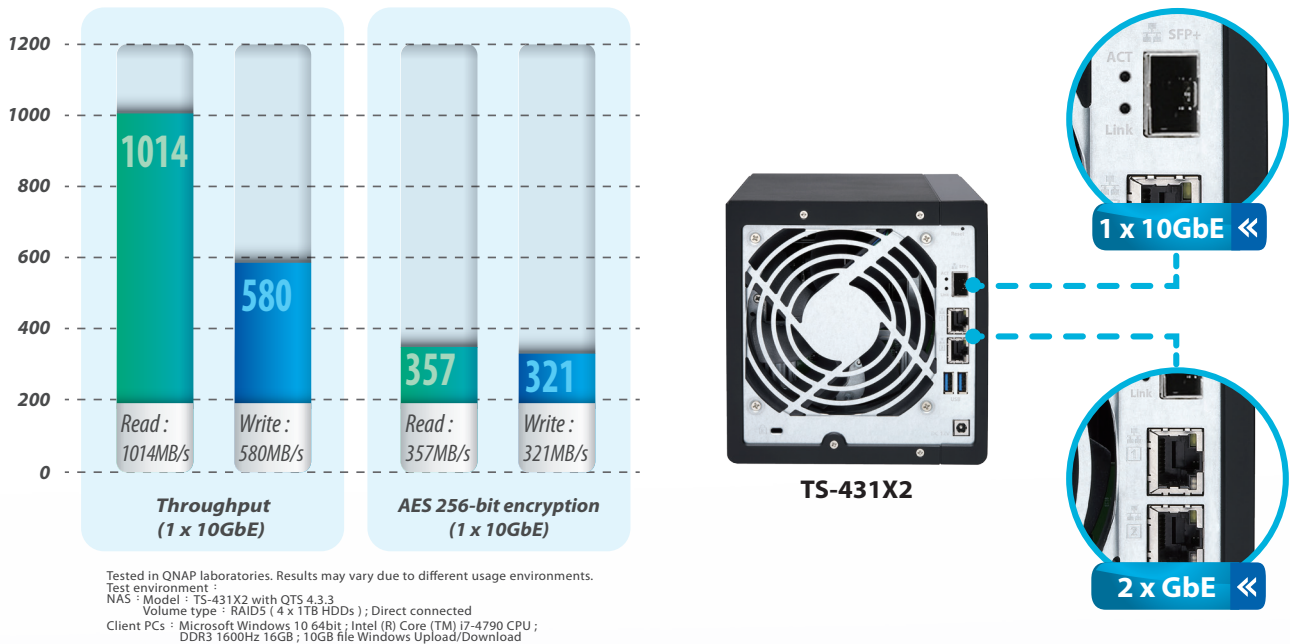


One Built-in 10GbE SFP+ port

- | Powered by quad-core 1.7 GHz processor and supports encryption acceleration technology
- | Manage, share, and back up business data with Hybrid Backup Sync
- | VJBOD allows using the TS-431X2 to expand the storage capacity of other QNAP NAS
- | Manage and share information effectively with Qfiling, an automatic file organizer, and Qsirch, a full-text search engine.
- | TS-431X2 can expand storage by up to 16 drives with two QNAP UX-500P/800P expansion enclosures

## ✈️ Energy-efficient quad-core processor and encryption engine

TS-431X2 offers a full range of NAS solutions with one built-in 10GbE SFP+ network port and 2GB/8GB DDR3 memory options (expandable up to 8GB). TS-431X2 features a low-power, high-performance Annapurna Labs Alpine AL-314 quad-core 1.7 GHz processor, which boosts read performance by approximately 15% compared with the AL-212 dual-core processor. The encryption engine of TS-431X2, with performance enhancements from the previous series, provides remarkable data access speeds when using AES-256-bit encryption, maintaining high system efficiency while protecting sensitive documents.



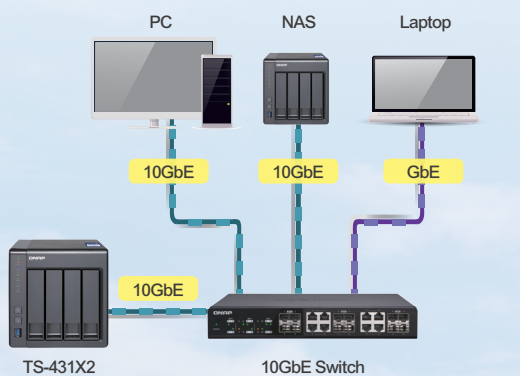
## ✈️ SSD caching

TS-431X2 supports SSD caching by all drives to enhance IOPS performance and accelerate disk access, increasing system operation efficiency. It is especially suitable for applications that require high IOPS performance. By combining SSDs and HDDs, system performance is increased in a cost-efficient manner.

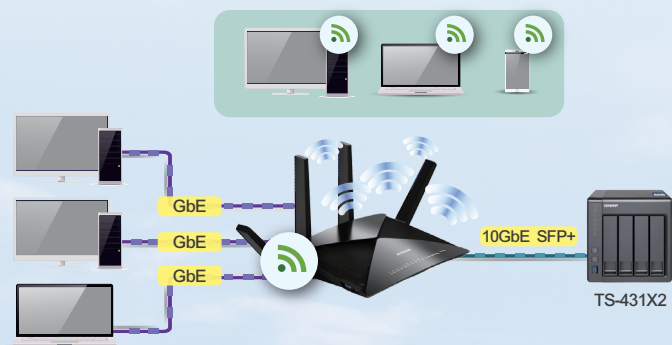


## ✈️ The moment to adopt 10GbE high-speed networking has arrived

10GbE enables various data-intensive applications and helps businesses to meet the increasing demands for bandwidth-intensive file transmission and backup tasks. However, 10GbE networking, while providing high transfer rates, used to involve expensive and limited choices of networking hardware. As the 10GbE high-speed connectivity continues to evolve and the technology to accommodate bandwidth-heavy tasks has matured, the hardware prices have significantly gone down, creating an excellent opportunity for SMBs to adopt high performance networks at lower costs.



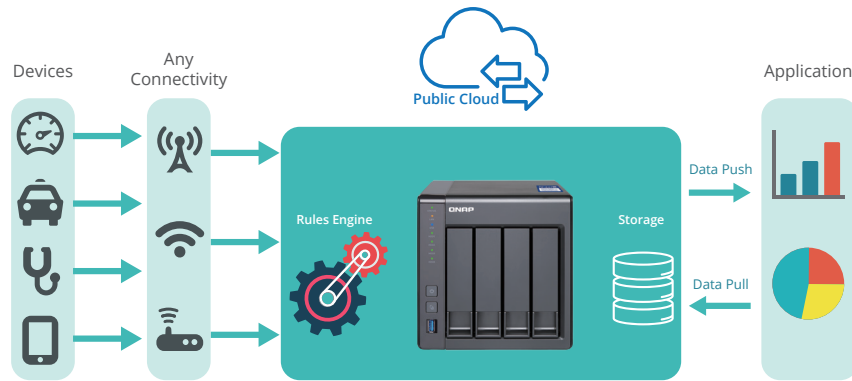
Direct connection over the 10GbE switch



Wireless AP-powered 10GbE workstation

## ✈️ Rapidly deploy IoT applications with Container Station

QNAP Container Station features two lightweight virtualization technologies: LXC and Docker®. You can run a full Linux® virtual machine on TS-431X2 and download thousands of applications from the Docker Hub® online marketplace. It is the best private cloud platform for developers to easily deploy IoT applications.



## ✈️ Qfiling - Simplified file organization

Qfiling automates your file organization. All you need to do is categorize your files, set a schedule, and Qfiling will do the rest. After setting up Qfiling, the files in selected folders will be automatically archived into folders for these categories. Qfiling also offers different conditions for different file types, including document assistant, music guru and video wizard, so you can quickly complete archiving tasks through customized archiving conditions



## ✈️ Easily sync files with Qsync Central Station

With Qsync, all of the files uploaded to a TS-431X2 can be synced with other computers and mobile devices. Qsync is a great tool for those who are frequently away from their NAS to access up-to-date files and data.



## ✈️ App Center

The built-in App Center provides hundreds of apps developed by QNAP and trusted third-party developers for backup, file management, communications, downloads, entertainment and more.



## ✈️ Mobile Apps



Qfile

Use Qfile to remotely manage the files on your NAS, upload and download files, stream videos/music, share documents and synchronize files with mobile devices.



Qget

Find web resources, set new download tasks to the NAS, and manage your download tasks.



Vmobile

Remotely manage the cameras connected to Surveillance Station, and play recorded videos.



Qnotes

Create and share your beautifully illustrated digital notes.

## Hardware Specifications



	TS-431X2	
Ordering SKUs	TS-431X2-2G	TS-431X2-8G
CPU	AnnapurnaLabs Alpine AL-314 Quad-core 1.7 GHz ARM® Cortex-A15 CPU	
Encryption Engine	✓	
System Memory	2GB DDR3 (1 x 2GB)	8GB DDR3 (1 x 8GB)
Maximum Memory	8GB DDR3	
Total Memory Slots	1 x SODIMM DDR3	
Flash Memory	512MB	
Drive Types	4 x 3.5"/2.5" SATA 6Gb/s HDDs/SSDs	
10GbE LAN Ports	1 x 10Gigabit SFP+ LAN port	
GbE LAN Ports	2 x Gigabit RJ45 LAN ports	
USB Ports	3 x USB 3.0 ports (Front: 1, Rear: 2)	
Dimensions (H x W x D)	169 x 160 x 219 mm 6.65 x 6.3 x 8.62 inches	
Power	External Adapter 90W,12V	
Fan	1 x 12 cm quiet cooling fan (12V DC)	
Camera license	2 free channels, up to 30 channels (optional purchase)	
Bundled Items	NAS, power cord, Quick Installation Guide, two network cables, hard drive screw kit	
Optional QNAP Accessories	2 x UX-500P/800P, DDR3 2GB/4GB/8GB memory , 10GbE DAC cable	

## Software Specifications

Supported disk group types	RAID 0/1/5/6/10, + hot spare, single, JBOD
Supported protocols	CIFS/SMB, AFP (v3.3), NFS(v3), FTP, FTPS, SFTP, TFTP, HTTP(S), Telnet, SSH, iSCSI, SNMP, SMTP, and SMSC
File sharing	Maximum number of users: 4096; Maximum number of user groups: 512; Maximum number of shared folders: 512; Maximum simultaneous connections: 700
Other Features	File Station, Photo Station, Music Station, Video Station, Download Station, Qsync, Notes Station, FTP Server, Print Server, VPN Server, VPN Client, Antivirus Protection, Qsirch, Hybrid Backup Sync, QVPN, mobile applications
Streaming server	DLNA Server, Airplay, Chromecast, iTunes Server

✍ Model specifications are subject to change without notice. Please refer to [www.qnap.com](http://www.qnap.com) for the latest information.

# QNAP SYSTEMS, INC.

TEL : +886-2-2641-2000 FAX: +886-2-2641-0555 Email: [qnapsales@qnap.com](mailto:qnapsales@qnap.com)

Address : 3F, No.22, Zhongxing Rd., Xizhi Dist., New Taipei City, 221, Taiwan

QNAP may make changes to specification and product descriptions at any time, without notice.

Copyright © 2017 QNAP Systems, Inc. All rights reserved.

QNAP® and other names of QNAP Products are proprietary marks or registered trademarks of QNAP Systems, Inc.

Other products and company names mentioned herein are trademarks of their respective holders.

### Netherlands (Warehouse Services)

Email: [nlsales@qnap.com](mailto:nlsales@qnap.com)  
TEL: +31(0)107600830

### China

Email: [cnsales@qnap.com](mailto:cnsales@qnap.com)  
TEL: +86-400-028-0079

### Thailand

Email: [thsales@qnap.com](mailto:thsales@qnap.com)  
TEL: +66-2-5415988

### Japan

Email: [jpsales@qnap.com](mailto:jpsales@qnap.com)  
FAX: 03-6435-9686

### US

Email: [usasales@qnap.com](mailto:usasales@qnap.com)  
TEL: +1-909-595-2782

### India

Email: [indiasales@qnap.com](mailto:indiasales@qnap.com)

### Germany

Email: [desales@qnap.com](mailto:desales@qnap.com)

### France

Email: [frsales@qnap.com](mailto:frsales@qnap.com)



51000-024307-RS  
201709 (EN) B