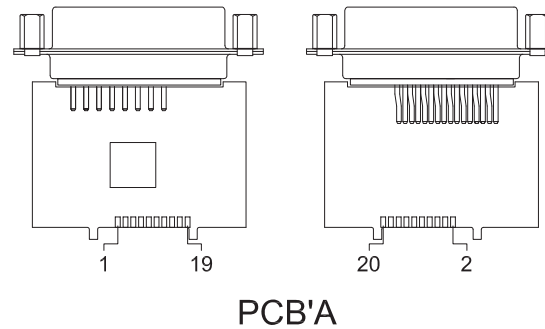
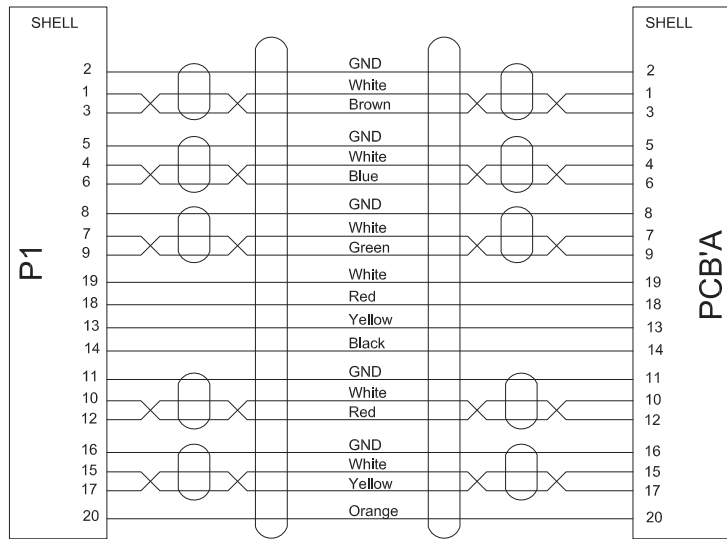
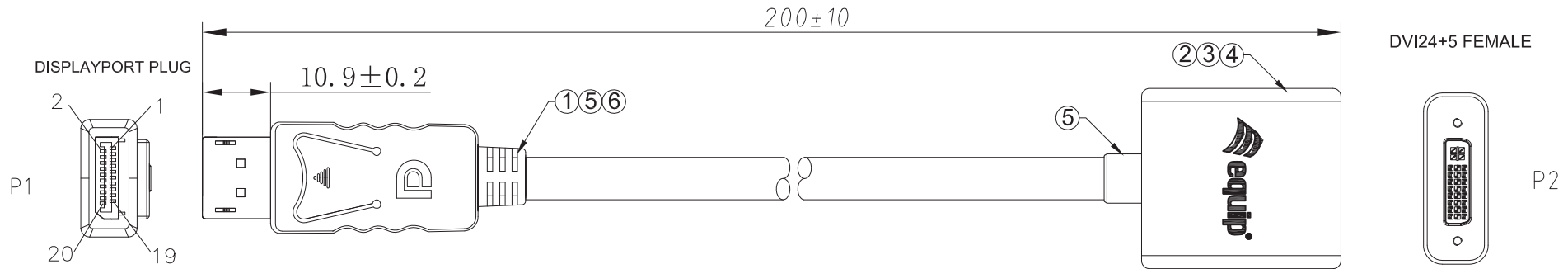


RoHS Compliant

REV	DESCRIPTION OF CHANGE	DATE
A0	INITIAL RELEASE	2016-2-24



TEST WITH 4K*2K RESOLUTION

6	Cover	DP(M)Black Bottom Case DP(M)Black Top Case	1 Pcs 1 Pcs
5	PVC	60P PVC Black	10.5g
4	Cover	DVI Black Case.	1 Pcs
3	Front Cover	DVI Front Cover Black.	1 Pcs
2	Cable clamp	VGA/HDMI/DVI PCB' A 32#Cable clamp	1 Pcs
	CONN	DP TO DVI (24+5)F PCB' A, Plate Nickel	1 Pcs
1	CABLE	UL20276 (32AWG*1P+D+AL/MY)*5C+32AWG*5C+MY/AL+BRAID, JACKET PVC BLACK. OD=5.5±0.20mm	1 Pcs
NO.	Material name	Specification description	Q' TY

DWG NO	(UNIT) MM		TITLE	DP to DVI(24+5) Adapter Cable
REV	(SCALE)			
PAGE				
DESIGN	DIMENSIONS ARE IN MILLIMETERS TOLERANCES: LINEAR: X ± 1.0 XX ± 0.5 XXX ± 0.15 X.XXX ± 0.05 ANGULAR: ± 0.5°	PART NO	133431	
CHECKED				
APPROVED				