

**USER MANUAL**

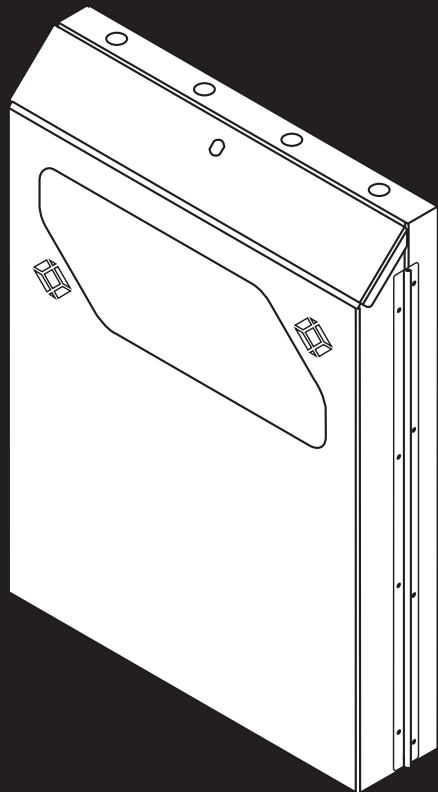
---

RMT35X SERIES

# **LOW-PROFILE WALLMOUNT CABINETS**

---

24/7 TECHNICAL SUPPORT AT 1.877.877.2269 OR VISIT [BLACKBOX.COM](http://BLACKBOX.COM)



# TABLE OF CONTENTS

<b>SAFETY INFORMATION</b> .....	<b>3</b>
Receiving, Unpacking, and Removing the Low-Profile Wallmount Cabinet from the Pallet.....	3
<b>1. SPECIFICATIONS</b> .....	<b>4</b>
<b>2. OVERVIEW</b> .....	<b>5</b>
2.1 Introduction.....	5
2.2 Features .....	5
2.3 What's Included.....	6
2.3.1 RMT351A .....	6
2.3.2 RMT351LA .....	7
2.3.3 RMT352A-R3.....	8
2.3.4 RMT352LA .....	9
2.3.5 RMT353A-R3.....	10
2.3.6 RMT353LA.....	11
2.4 Hardware Description.....	12
2.4.1 RMT351A .....	13
2.4.2 RMT351LA .....	14
2.4.3 RMT352A-R3.....	15
2.4.4 RMT352LA .....	16
2.4.5 RMT353A-R3.....	17
2.4.6 RMT353LA.....	18
<b>3. INSTALLATION</b> .....	<b>19</b>
3.1 Wallmounting Instructions .....	19
3.1.1 Tools List.....	19
3.1.2 Instructions.....	19
3.2 Inside Mounting Bracket Adjustment Instructions .....	20
3.2.1 Tools List.....	20
3.2.2 Instructions.....	20
3.3 Door Hinge Side Change Instructions .....	21
3.3.1 Tools List.....	21
3.3.2 Instructions.....	21



## SAFETY INFORMATION

### RECEIVING, UNPACKING, AND REMOVING THE LOW-PROFILE WALLMOUNT CABINET FROM THE PALLET

- ◆ Inspect for damage and report damage if there is damage before receiving. Unpack the rack by carefully removing the corrugated carton and corners. Avoid damaging the enclosure when removing packaging.

**WARNING:** Only trained service personnel should be used to remove the Low-Profile Wallmount Cabinet from the carton. Please know the weight of what you are picking up.

**WARNING:** When installing a Low-Profile Wallmount Cabinet to materials such as wood, cinder block, concrete, etc., consider the load capacity of the wallmount enclosure, and be sure to check with local authorities to determine the appropriate hardware requirements for your conditions.

Black Box recommends that you consult an experienced maintenance and/or technical person regarding the proper wallmounting hardware and procedures to be used for the anticipated load capacity of the wallmount cabinet.

RATED OR MAXIMUM LOAD CAPACITY FOR THE LOW-PROFILE WALLMOUNT CABINET DEPENDS ON THE MODEL NUMBER. SEE THE TABLE BELOW.

**TABLE 2-1. AVAILABLE MODELS**

PRODUCT CODE	PRODUCT NAME	MAXIMUM LOAD CAPACITY
RMT351A	2U Low-Profile Vertical Wallmount Cabinet - 24"D	200 lb. (90.9 kg)
RMT351LA	2U Low-Profile Vertical Wallmount Cabinet - 36"D	200 lb. (90.9 kg)
RMT352A-R3	4U Low-Profile Vertical Wallmount Cabinet - 24"D	200 lb. (90.9 kg)
RMT352LA	4U Low-Profile Vertical Wallmount Cabinet - 36"D	200 lb. (90.9 kg)
RMT353A-R3	6U Low-Profile Vertical Wallmount Cabinet - 24"D	200 lb. (90.9 kg)
RMT353LA	6U Low-Profile Vertical Wallmount Cabinet - 36"D	200 lb. (90.9 kg)

**CHAPTER 1: SPECIFICATIONS****TABLE 1-1. SPECIFICATIONS**

SPECIFICATION	RMT351A	RMT351LA	RMT352A-R3	RMT352LA	RMT353A-R3	RMT353LA
Finish	Powder Coat, Pantone 2U, 2X	Powder Coat, Pantone 2U, 2X	Powder Coat, Pantone 2U, 2X	Powder Coat, Pantone 2U, 2X	Powder Coat, Pantone 2U, 2X	Powder Coat, Pantone 2U, 2X
Construction	Welded Steel, 1.2 mm (18 ga.) to 2.0 mm (14 ga.)	Welded Steel, 1.2 mm (18 ga.) to 2.0 mm (14 ga.)	Welded Steel, 1.2 mm (18 ga.) to 2.0 mm (14 ga.)	Welded Steel, 1.2 mm (18 ga.) to 2.0 mm (14 ga.)	Welded Steel, 1.2 mm (18 ga.) to 2.0 mm (14 ga.)	Welded Steel, 1.2 mm (18 ga.) to 2.0 mm (14 ga.)
Outside Height	29.44" (74.77 cm)	41.44" (105.26 cm)	29.44" (74.77 cm)	41.46" (105.31 cm)	29.44" (74.77 cm)	41.47" (105.34 cm)
Outside Width	22.42" (56.94 cm)	22.42" (56.94 cm)	22.42" (56.94 cm)	22.42" (56.94 cm)	22.42" (56.94 cm)	22.42" (56.94 cm)
Outside Depth	5.25" (13.34 cm)	5.25" (13.34 cm)	8.75" (22.23 cm)	8.75" (22.23 cm)	12.25" (31.12 cm)	12.25" (31.12 cm)
Rack Units (U)	2U	2U	4U	4U	6U	6U
Racking Depth	24" (60.9 cm)	36" (91.4 cm)	24" (60.9 cm)	36" (91.4 cm)	24" (60.9 cm)	36" (91.4 cm)
Environmental	Indoor	Indoor	Indoor	Indoor	Indoor	Indoor
Load Capacity	200 lb. (90.9 kg)	200 lb. (90.9 kg)	200 lb. (90.9 kg)	200 lb. (90.9 kg)	200 lb. (90.9 kg)	200 lb. (90.9 kg)
Weight	33 lb. (15.0 kg)	38 lb. (17.2 kg)	39 lb. (17.7 kg)	45 lb. (20.4 kg)	45 lb. (20.4 kg)	51 lb. (23.2 kg)



## CHAPTER 2: OVERVIEW

### 2.1 INTRODUCTION

Low-Profile Wallmount Cabinets are a dependable choice for tight networking environments and security-sensitive applications. Unique vertical racking keeps your equipment out of the way while connectors stay easily accessible.

Durable steel construction makes these models a good choice for industrial spaces and expanding businesses.

### 2.2 FEATURES

- ◆ Space-saving vertical mounting for network devices.
- ◆ Mount out of the way on nearly any wall or vertical surface.
- ◆ Models with 2U, 4U, or 6U of rack space.
- ◆ Heavy-duty steel construction.
- ◆ 2U, 4U, or 6U of 19" EIA-310 square hole rails.
- ◆ 2-point equipment mounting, 24" or 36" equipment depth.
- ◆ Mounting rails have 4" of vertical adjustment inside cabinet.
- ◆ 200 lb. (90.9 kg) equipment capacity.
- ◆ Top door for monitoring access.
- ◆ Front door for maintenance access.
- ◆ 16" C/C and 19" C/C mounting holes (4-point mounting for both widths).
- ◆ Mesh on doors allows for secure cooling.
- ◆ Piano hinges on front and top doors ensure secure / strong door-to-body connection.
- ◆ Up to (4) top and (4) bottom 1" (2.5 cm) conduit knock-outs.
- ◆ Reversible front door allows for L or R opening.
- ◆ Front and top door have positive retention locks ensuring doors to open when unlocked unless activated.
- ◆ Secure models have fan mounts and vented bottom for heat reduction.
- ◆ EIA compliant.

## CHAPTER 2: OVERVIEW

### 2.3 WHAT'S INCLUDED

Your package should include the following items. If anything is missing or damaged, contact Black Box Technical Support at 877-877-2269 or [info@blackbox.com](mailto:info@blackbox.com).

#### 2.3.1 RMT351A

---

(1) 24" Deep 2U Wallmount Cabinet including the following:

- ◆ (1) 2U Cabinet Back Assembly
- ◆ (1) 2U Cabinet Door Assembly
- ◆ (2) 2U square hole rail
- ◆ (1) Front Door Lock (Tai-Sam DKS-3)
- ◆ (1) Top Door Lock (Tai-Sam MS-657-24)
- ◆ (8) M6 x 12mm Machine Screw
- ◆ (8) M6 Flange nut
- ◆ (4) 1/4"-20 1/2" Carriage Bolt
- ◆ (4) 1/4"-20 Flange nut
- ◆ (6) M3 x 8-mm Machine Screw
- ◆ (1) Piano Hinge for Front Door
- ◆ (4) Rubber Door Bumper
- ◆ (4) 1/4"-10 x 2" Lag Screw for Wood
- ◆ (4) 1/4" Flat Washer
- ◆ (4) 1/4" Lock Washer
- ◆ (8) M5 Machine Screw
- ◆ (8) M5 Cage Nut
- ◆ (1) Pair of Top Lock Keys
- ◆ (1) Pair of Side Lock Keys



## CHAPTER 2: OVERVIEW

### 2.3.2 RMT351LA

---

(1) 36" Deep 2U Wallmount Cabinet including the following:

- ◆ (1) 2U Cabinet Back Assembly
- ◆ (1) 2U Cabinet Door Assembly
- ◆ (2) 2U square hole rail
- ◆ (1) Front Door Lock (Tai-Sam DKS-3)
- ◆ (1) Top Door Lock (Tai-Sam MS-657-24)
- ◆ (12) M6 x 12mm Machine Screw
- ◆ (12) M6 Flange nut
- ◆ (4) 1/4"-20 1/2" Carriage Bolt
- ◆ (4) 1/4"-20 Flange nut
- ◆ (6) M3 x 8-mm Machine Screw
- ◆ (1) Piano Hinge for Front Door
- ◆ (4) Rubber Door Bumper
- ◆ (4) 1/4"-10 x 2" Lag Screw for Wood
- ◆ (4) 1/4" Flat Washer
- ◆ (4) 1/4" Lock Washer
- ◆ (8) M5 Machine Screw
- ◆ (8) M5 Cage Nut
- ◆ (1) Pair of Top Lock Keys
- ◆ (1) Pair of Side Lock Keys

## CHAPTER 2: OVERVIEW

### 2.3.3 RMT352A-R3

---

(1) 24" Deep 4U Wallmount Cabinet including the following:

- ◆ (1) 4U Cabinet Back Assembly
- ◆ (1) 4U Cabinet Door Assembly
- ◆ (2) 4U square hole rail
- ◆ (1) Front Door Lock (Tai-Sam DKS-3)
- ◆ (1) Top Door Lock (Tai-Sam MS-657-24)
- ◆ (8) M6 x 12mm Machine Screw
- ◆ (8) M6 Flange nut
- ◆ (4) 1/4"-20 1/2" Carriage Bolt
- ◆ (4) 1/4"-20 Flange nut
- ◆ (6) M3 x 8-mm Machine Screw
- ◆ (1) Piano Hinge for Front Door
- ◆ (4) Rubber Door Bumper
- ◆ (4) 1/4"-10 x 2" Lag Screw for Wood
- ◆ (4) 1/4" Flat Washer
- ◆ (4) 1/4" Lock Washer
- ◆ (16) M5 Machine Screw
- ◆ (16) M5 Cage Nut
- ◆ (1) Pair of Top Lock Keys
- ◆ (1) Pair of Side Lock Keys





## CHAPTER 2: OVERVIEW

### 2.3.4 RMT352LA

---

(1) 36" Deep 4U Wallmount Cabinet including the following:

- ◆ (1) 4U Cabinet Back Assembly
- ◆ (1) 4U Cabinet Door Assembly
- ◆ (2) 4U square hole rail
- ◆ (1) Front Door Lock (Tai-Sam DKS-3)
- ◆ (1) Top Door Lock (Tai-Sam MS-657-24)
- ◆ (12) M6 x 12mm Machine Screw
- ◆ (12) M6 Flange nut
- ◆ (4) 1/4"-20 1/2" Carriage Bolt
- ◆ (4) 1/4"-20 Flange nut
- ◆ (6) M3 x 8-mm Machine Screw
- ◆ (1) Piano Hinge for Front Door
- ◆ (4) Rubber Door Bumper
- ◆ (4) 1/4"-10 x 2" Lag Screw for Wood
- ◆ (4) 1/4" Flat Washer
- ◆ (4) 1/4" Lock Washer
- ◆ (16) M5 Machine Screw
- ◆ (16) M5 Cage Nut
- ◆ (1) Pair of Top Lock Keys
- ◆ (1) Pair of Side Lock Keys

## CHAPTER 2: OVERVIEW

### 2.3.5 RMT353A-R3

---

(1) 24" Deep 6U Wallmount Cabinet including the following:

- ◆ (1) 6U Cabinet Back Assembly
- ◆ (1) 6U Cabinet Door Assembly
- ◆ (2) 6U square hole rail
- ◆ (1) Front Door Lock (Tai-Sam DKS-3)
- ◆ (1) Top Door Lock (Tai-Sam MS-657-24)
- ◆ (8) M6 x 12-mm Machine Screw
- ◆ (8) M6 Flange nut
- ◆ (4) 1/4"-20 1/2" Carriage Bolt
- ◆ (4) 1/4"-20 Flange nut
- ◆ (6) M3 x 8-mm Machine Screw
- ◆ (1) Piano Hinge for Front Door
- ◆ (4) Rubber Door Bumper
- ◆ (4) 1/4"-10 x 2" Lag Screw for Wood
- ◆ (4) 1/4" Flat Washer
- ◆ (4) 1/4" Lock Washer
- ◆ (24) M5 Machine Screw
- ◆ (24) M5 Cage Nut
- ◆ (1) Pair of Top Lock Keys
- ◆ (1) Pair of Side Lock Keys



## CHAPTER 2: OVERVIEW

### 2.3.6 RMT353LA

---

(1) 36" Deep 6U Wallmount Cabinet including the following:

- ◆ (1) 6U Cabinet Back Assembly
- ◆ (1) 6U Cabinet Door Assembly
- ◆ (2) 6U square hole rail
- ◆ (1) Front Door Lock (Tai-Sam DKS-3)
- ◆ (1) Top Door Lock (Tai-Sam MS-657-24)
- ◆ (12) M6 x 12mm Machine Screw
- ◆ (12) M6 Flange nut
- ◆ (4) 1/4"-20 1/2" Carriage Bolt
- ◆ (4) 1/4"-20 Flange nut
- ◆ (6) M3 x 8-mm Machine Screw
- ◆ (1) Piano Hinge for Front Door
- ◆ (4) Rubber Door Bumper
- ◆ (4) 1/4"-10 x 2" Lag Screw for Wood
- ◆ (4) 1/4" Flat Washer
- ◆ (4) 1/4" Lock Washer
- ◆ (24) M5 Machine Screw
- ◆ (24) M5 Cage Nut
- ◆ (1) Pair of Top Lock Keys
- ◆ (1) Pair of Side Lock Keys

## CHAPTER 2: OVERVIEW

### 2.4 HARDWARE DESCRIPTION

Six models of the Low-Profile Wallmount Cabinets are available. The table below lists the models, and the illustrations that follow show each cabinet in detail.

**TABLE 2-1. AVAILABLE MODELS**

PRODUCT CODE	PRODUCT NAME
RMT351A	2U Low-Profile Vertical Wallmount Cabinet - 24"D
RMT351LA	2U Low-Profile Vertical Wallmount Cabinet - 36"D
RMT352A-R3	4U Low-Profile Vertical Wallmount Cabinet - 24"D
RMT352LA	4U Low-Profile Vertical Wallmount Cabinet - 36"D
RMT353A-R3	6U Low-Profile Vertical Wallmount Cabinet - 24"D
RMT353LA	6U Low-Profile Vertical Wallmount Cabinet - 36"D



## 2.4.1 RMT351A

Figure 2-1 illustrates the 2U Low-Profile Vertical Wallmount Cabinet - 24"D. Figure 2-2 shows its dimensions.

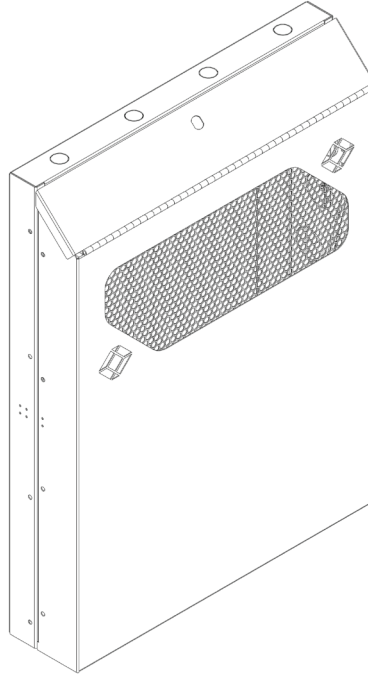


FIGURE 2-1. RMT351A

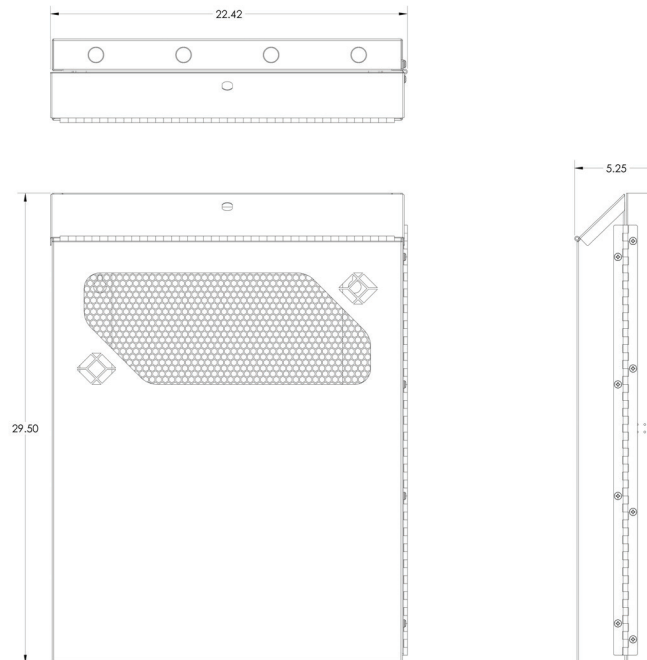


FIGURE 2-2. RMT351A DIMENSIONS

# CHAPTER 2: OVERVIEW

## 2.4.2 RMT351LA

Figure 2-3 illustrates the 2U Low-Profile Vertical Wallmount Cabinet - 36"D. Figure 2-4 shows its dimensions.

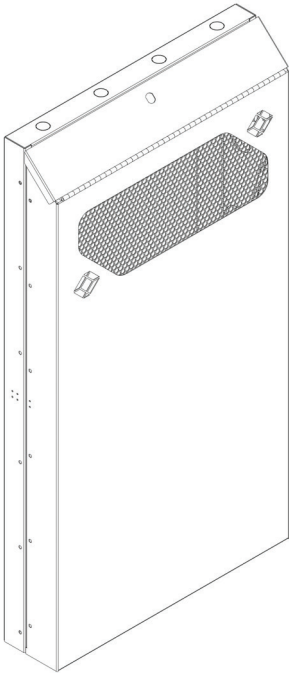


FIGURE 2-3. RMT351LA

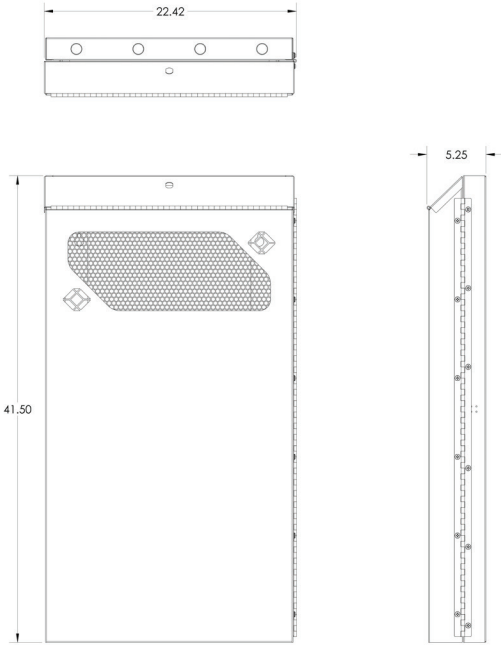


FIGURE 2-4. RMT351LA DIMENSIONS

## 2.4.3 RMT352A-R3

Figure 2-5 illustrates the 4U Low-Profile Vertical Wallmount Cabinet - 24"D. Figure 2-6 shows its dimensions.

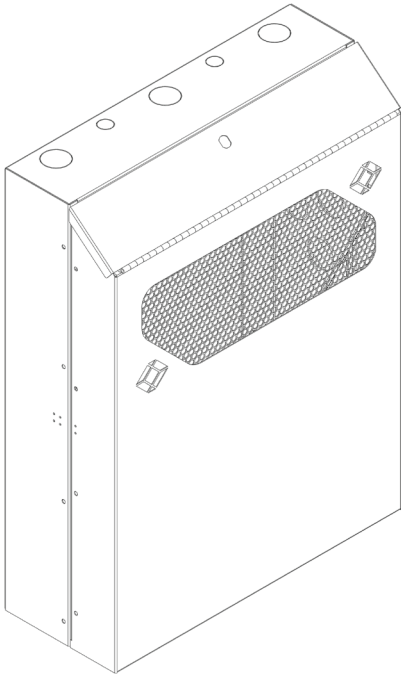


FIGURE 2-5. RMT352A-R3

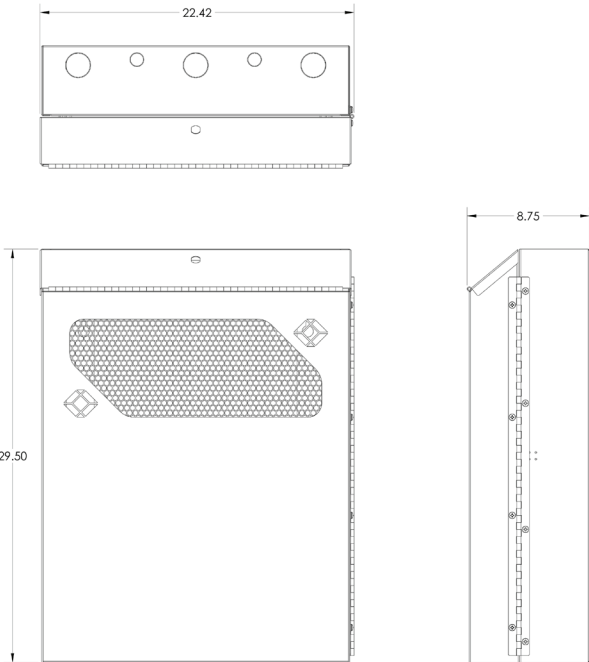


FIGURE 2-6. RMT352A-R3 DIMENSIONS

## 2.4.4 RMT352LA

Figure 2-7 illustrates the 4U Low-Profile Vertical Wallmount Cabinet - 36"D. Figure 2-6 shows its dimensions.

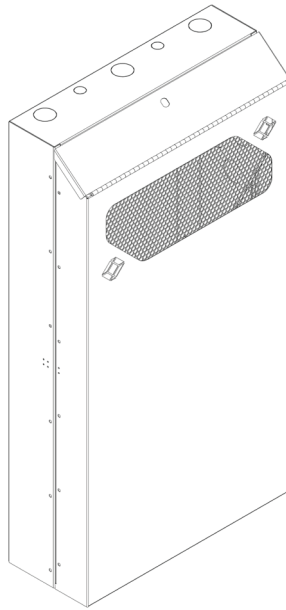


FIGURE 2-7. RMT352LA

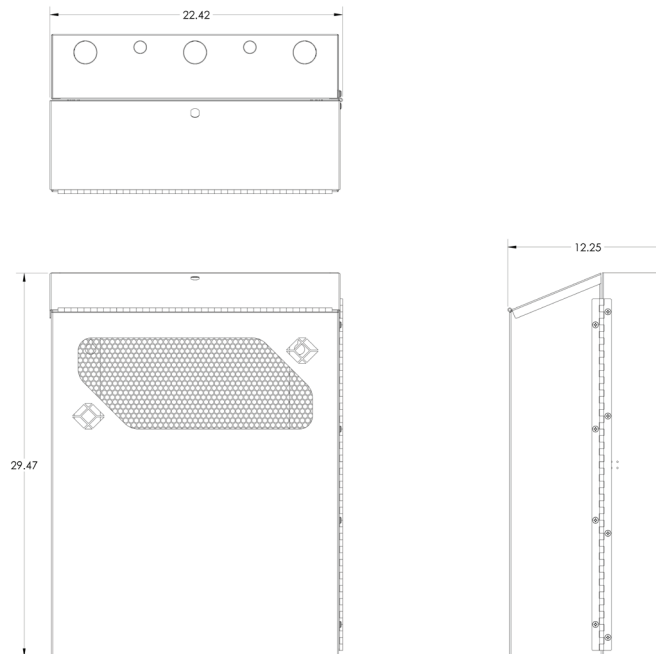


FIGURE 2-8. RMT352LA DIMENSIONS



## 2.4.5 RMT353A-R3

Figure 2-9 illustrates the 6U Low-Profile Vertical Wallmount Cabinet - 24"D. Figure 2-10 shows its dimensions.

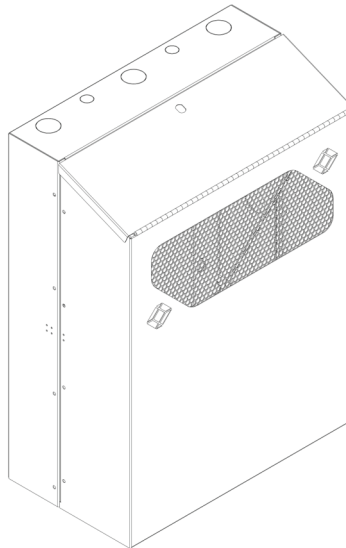


FIGURE 2-9. RMT353A-R3

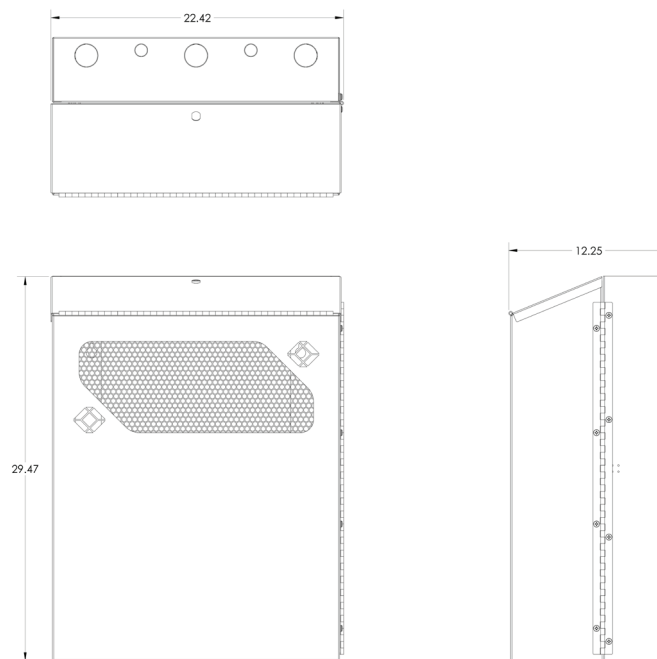


FIGURE 2-10. RMT353A-R3 DIMENSIONS

## 2.4.6 RMT353LA

Figure 2-11 illustrates the 6U Low-Profile Vertical Wallmount Cabinet - 36"D. Figure 2-12 shows its dimensions.

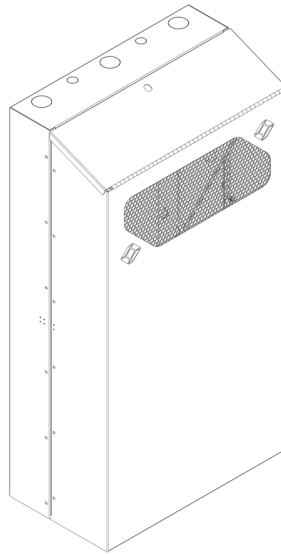


FIGURE 2-11. RMT353LA

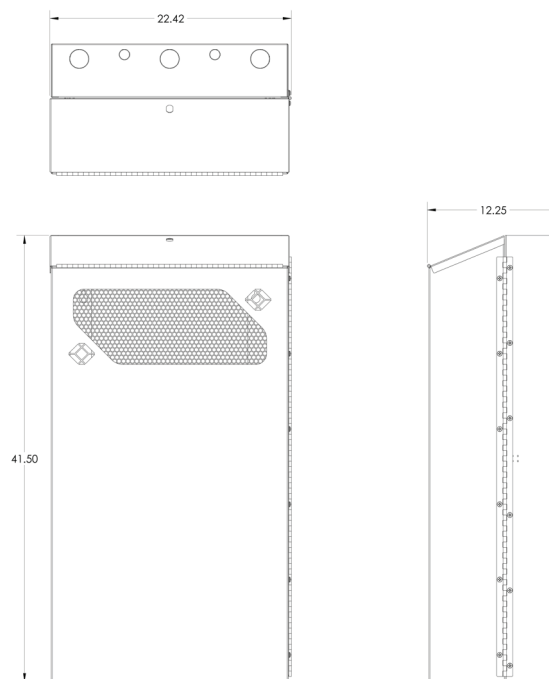


FIGURE 2-12. RMT353LA DIMENSIONS

## CHAPTER 3: INSTALLATION

### 3.1 WALLMOUNTING INSTRUCTIONS

#### 3.1.1 TOOLS LIST

- ◆ Power Drill with 7/16" Socket
- ◆ Level
- ◆ Stud-Finder (optional)

#### 3.1.2 INSTRUCTIONS

STEP 1: Locate wall studs for mounting low profile wallmount cabinet and determine if they are spaced 16" or 19" apart to determine the correct mounting holes to use.

STEP 2: Mark mounting hole placement on wall for the top mounting holes in the cabinet. Cabinet should be mounted into the middle of wall studs – mounting holes will be either 16" or 19" apart depending on the spacing of the wall studs. Use the level to make sure the holes will be at the same height.

STEP 3: Use the drill to drive ONE (1) ¼"-10 X 2" LAG SCREW FOR WOOD with ONE (1) ¼" LOCK WASHER and ONE (1) ¼" FLAT WASHER approximately ¾ of the way into the first marked mounting hole.

STEP 4: Repeat step (3), driving ONE (1) ¼"-10 X 2" LAG SCREW FOR WOOD with ONE (1) ¼" LOCK WASHER and ONE (1) ¼" FLAT WASHER approximately ¾ of the way into the second marked mounting hole.

STEP 5: Place low profile wallmount cabinet onto these TWO (2) mounting screws. The ¼" FLAT WASHER and ¼" LOCK WASHER should be inside the cabinet (see picture). Make sure the cabinet rests all the way down with the mounting screws sitting in the narrow part of both the top mounting holes. Check that cabinet is level before tightening top mounting screws

STEP 6: Once cabinet is positioned correctly on the top TWO (2) mounting screws and is level, use the drill to tighten both mounting screws into the wall.

STEP 7: Complete wall mounting the low profile cabinet by driving the remaining TWO (2) ¼"-10 X 2" LAG SCREWS FOR WOOD, TWO (2) ¼" LOCK WASHERS, and TWO (2) ¼" FLAT WASHERS into the correctly spaced bottom mounting holes in the cabinet.

NOTE: Instructions for mounting the cabinet on the wall are the same for all models.

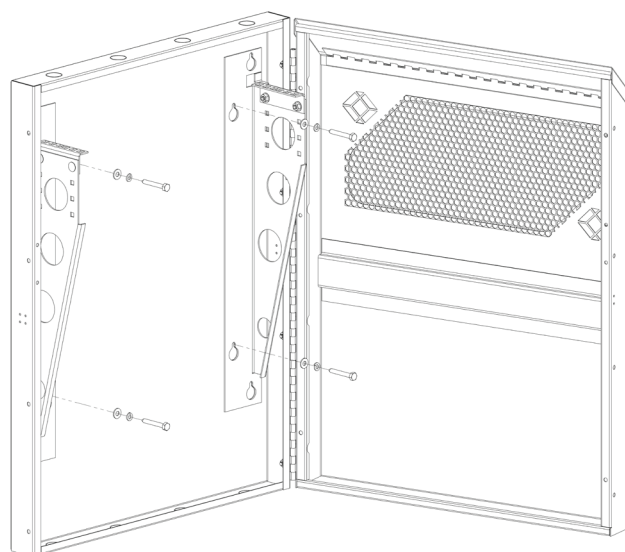


FIGURE 3-1. MOUNTING THE RMT351A CABINET ON THE WALL

## CHAPTER 3: INSTALLATION

### 3.2 INSIDE MOUNTING BRACKET ADJUSTMENT INSTRUCTIONS

#### 3.2.1 TOOLS LIST

- ♦ 7/16" Wrench

#### 3.2.2 INSTRUCTIONS

**STEP 1:** Use the 7/16" wrench to remove the TWO (2) 1/4"-20 FLANGE NUTS holding on the SQUARE HOLE MOUNTING BRACKET

**STEP 2:** Remove SQUARE HOLE MOUNTING BRACKET and TWO (2) 1/4"-20 X 1/2" SQUARE NECK CARRIAGE BOLTS from the inside mounting bracket in the low profile wallmount cabinet

**STEP 3:** Locate the square mounting holes at the desired mounting height and place the TWO (2) 1/4"-20 X 1/2" SQUARE NECK CARRIAGE BOLTS in these holes. Carriage bolts should be facing in, with the heads on the outside of the mounting brackets

**STEP 4:** Place SQUARE HOLE MOUNTING BRACKET on these TWO (2) 1/4"-20 X 1/2" SQUARE NECK CARRIAGE BOLTS and secure with the TWO (2) 1/4"-20 FLANGE NUTS. Tighten the 1/4"-20 FLANGE NUTS with the 7/16" wrench

**STEP 5:** Repeat steps (1) – (4) to adjust the height of the second SQUARE HOLE MOUNTING BRACKET. Make sure that SQUARE HOLE MOUNTING BRACKETS are at the same height.

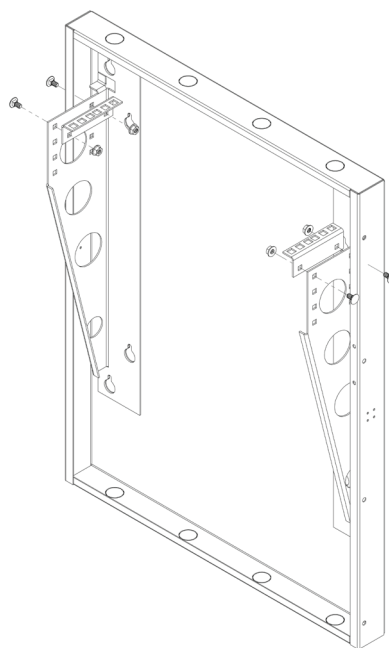


FIGURE 3-2. ADJUSTING THE INSIDE MOUNTING BRACKETS ON THE RMT351A

**NOTE:** Instructions for adjusting the inside mounting brackets are the same for all models.

## CHAPTER 3: INSTALLATION

### 3.3 DOOR HINGE SIDE CHANGE INSTRUCTIONS

#### 3.3.1 TOOLS LIST

- ◆ Phillips Screwdriver
- ◆ 10MM (OR 7/16") WRENCH

#### 3.3.2 INSTRUCTIONS

**STEP 1:** Use the screwdriver to remove the FOUR (4) M3 X 0.5MM X 6MM FLAT HEAD PHILLIPS MACHINE SCREWS holding on the side lock. The lock must be lifted forward as if to open cabinet to access these screws. Once screws are removed, remove the side lock from the cabinet.

**STEP 2:** Use the screwdriver to remove the TWO (2) M3 X 0.5MM X 6MM FLAT HEAD PHILLIPS MACHINE SCREWS holding the side lock latch onto the front door and remove the side latch.

**STEP 3:** Remove the FOUR (4) (for RMT351A, RMT352A-R3, and RMT353A-R3) or SIX (6) (for RMT351LA, RMT352LA, and RMT353LA) M6 X 1MM X 12MM PAN HEAD PHILLIPS MACHINE SCREWS holding the side hinge onto the front door of the low profile wallmount cabinet using the screwdriver. If necessary, use the 10MM wrench to hold the M6 X 1MM FLANGE NUTS in place while removing these screws.

**STEP 4:** Remove the remaining the FOUR (4) (for RMT351A, RMT352A-R3, and RMT353A-R3) or SIX (6) (for RMT351LA, RMT352LA, and RMT353LA) M6 X 1MM X 12MM PAN HEAD PHILLIPS MACHINE SCREWS holding the side hinge to the main cabinet body in the same way.

**STEP 5:** Position side hinge on the other side of the cabinet so that the front door will open in the other direction. Make sure that hinge is positioned in the correct orientation so that all mounting holes align.

**STEP 6:** Attach the hinge to the main cabinet body using FOUR (4) (for RMT351A, RMT352A-R3, and RMT353A-R3) or SIX (6) (for RMT351LA, RMT352LA, and RMT353LA) M6 X 1MM X 12MM PAN HEAD PHILLIPS MACHINE SCREWS and FOUR (4) (for RMT351A, RMT352A-R3, and RMT353A-R3) or SIX (6) (for RMT351LA, RMT352LA, and RMT353LA) M6 X 1MM FLANGE NUTS. If necessary, use the 10MM wrench to hold the M6 X 1MM FLANGE NUTS in place while tightening. Make sure all screws are tight before attaching the front door to the hinge.

**STEP 7:** Attach the front door of the low profile wallmount cabinet to the side hinge using FOUR (4) (for RMT351A, RMT352A-R3, and RMT353A-R3) or SIX (6) (for RMT351LA, RMT352LA, and RMT353LA) M6 X 1MM X 12MM PAN HEAD PHILLIPS MACHINE SCREWS and FOUR (4) (for RMT351A, RMT352A-R3, and RMT353A-R3) or SIX (6) (for RMT351LA, RMT352LA, and RMT353LA) M6 X 1MM FLANGE NUTS using the same method as step (6).

**STEP 8:** Attach the side lock latch to the side of the front door opposite the hinge using TWO (2) M3 X 0.5MM X 6MM FLAT HEAD PHILLIPS MACHINE SCREWS and TWO (2) M3 X 0.5MM LOCKNUTS WITH EXTERNAL-TOOTH LOCK WASHERS. Make sure screws are tight.

**STEP 9:** Attach the side lock to the main low profile wallmount cabinet body using FOUR (4) M3 X 0.5MM X 6MM FLAT HEAD PHILLIPS MACHINE SCREWS and FOUR (4) M3 X 0.5MM LOCKNUTS WITH EXTERNAL-TOOTH LOCK WASHERS. It may be helpful to use needle-nose pliers to hold locknuts in place while tightening the screws

**STEP 10:** Hinge switch is complete. Close and lock cabinet to make sure the side lock and side lock latch align correctly.

## RMT351A

Figure 3-3 shows the RMT351A. Follow Steps 1–10 in the previous section to move the hinge to the other side of the cabinet.

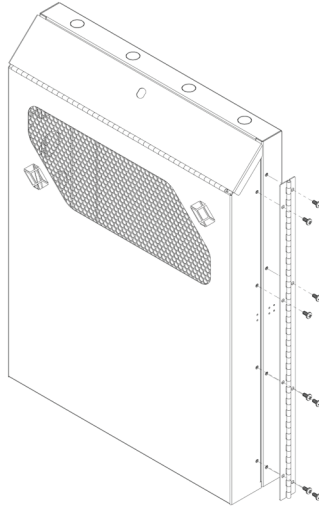


FIGURE 3-3. HINGE SIDE CHANGE ON THE RMT351A

## RMT351LA

Figure 3-4 shows the RMT351LA. Follow Steps 1–10 in the previous section to move the hinge to the other side of the cabinet.

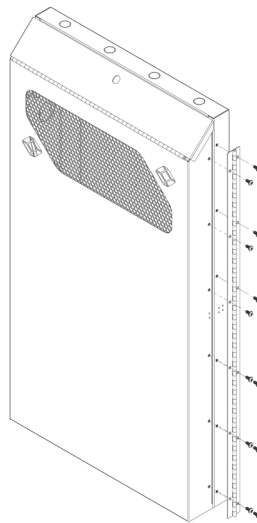


FIGURE 3-4. HINGE SIDE CHANGE ON THE RMT351LA

## RMT352A-R3

Figure 3-5 shows the RMT352A-R3. Follow Steps 1–10 in the previous section to move the hinge to the other side of the cabinet.

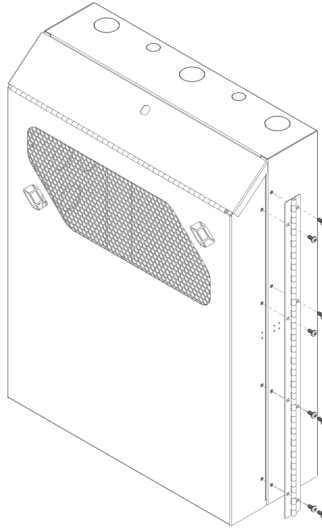


FIGURE 3-5. HINGE SIDE CHANGE ON THE RMT352A-R3

## RMT352LA

Figure 3-6 shows the RMT352LA. Follow Steps 1–10 in the previous section to move the hinge to the other side of the cabinet.

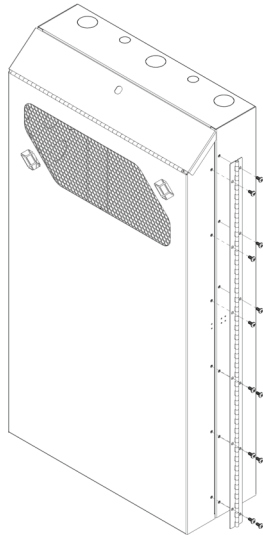


FIGURE 3-6. HINGE SIDE CHANGE ON THE RMT352LA

## CHAPTER 3: INSTALLATION

### RMT353A-R3

Figure 3-7 shows the RMT353A-R3. Follow Steps 1–10 in the previous section to move the hinge to the other side of the cabinet.

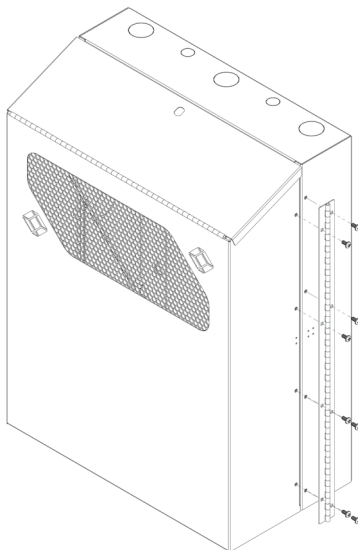


FIGURE 3-7. HINGE SIDE CHANGE ON THE RMT353A-R3

### RMT353LA

Figure 3-8 shows the RMT353LA. Follow Steps 1–10 in the previous section to move the hinge to the other side of the cabinet.

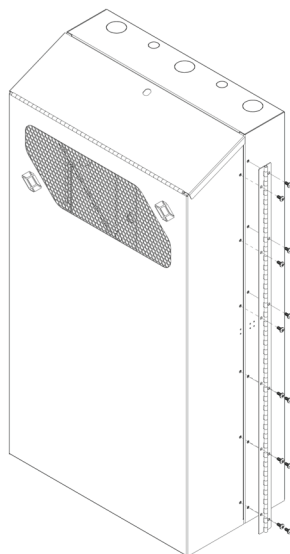


FIGURE 3-8. HINGE SIDE CHANGE ON THE RMT353LA





**NOTES**

NEED HELP?  
LEAVE THE TECH TO US

**LIVE 24/7  
TECHNICAL  
SUPPORT**

1.877.877.2269

Lined area for notes with horizontal dashed lines.





**NEED HELP?  
LEAVE THE TECH TO US**

---

**LIVE 24/7  
TECHNICAL  
SUPPORT**

---

**1.877.877.2269**

