



90° degree Rotate Single Display Cart

650602

| Specification

Material	Aluminum
Suggested Screen Size	37"-70"
Load Capacity	50kg/110lbs
Max.VESA	600x400
Tilt Range	+5° ~ -12°
Rotating	0-90°
Adjustable TV Height	YES

| Key Features

- 90° Rotate Single Display Cart
- 90° rotation for easily holding display in portrait or landscape orientation
- Height free TV mounting system allows to adjustable TV to the height you like
- Possibility to tilt the screen to obtain the optimal viewing angle
- Adjustable camera shelf/DVD shelf height for the desired position
- Internal cable management for a clutter-free appearance
- Wheels for mobility, lockable for safety

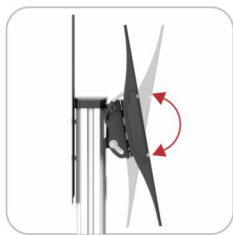
| Package Contents

- 1x Display Cart
- 1 x Screw Pack
- 1 x Quick Installation Guide
- 1 x DVD/AV Shelf

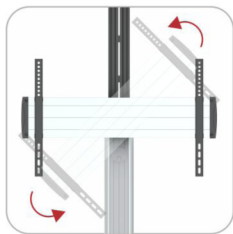




Telescopic Height Adjustable TV Cart



Freely Tilting Mechanism
allows easy angle adjustment and reduces glare from lights or windows to obtain the optimal viewing comfort.



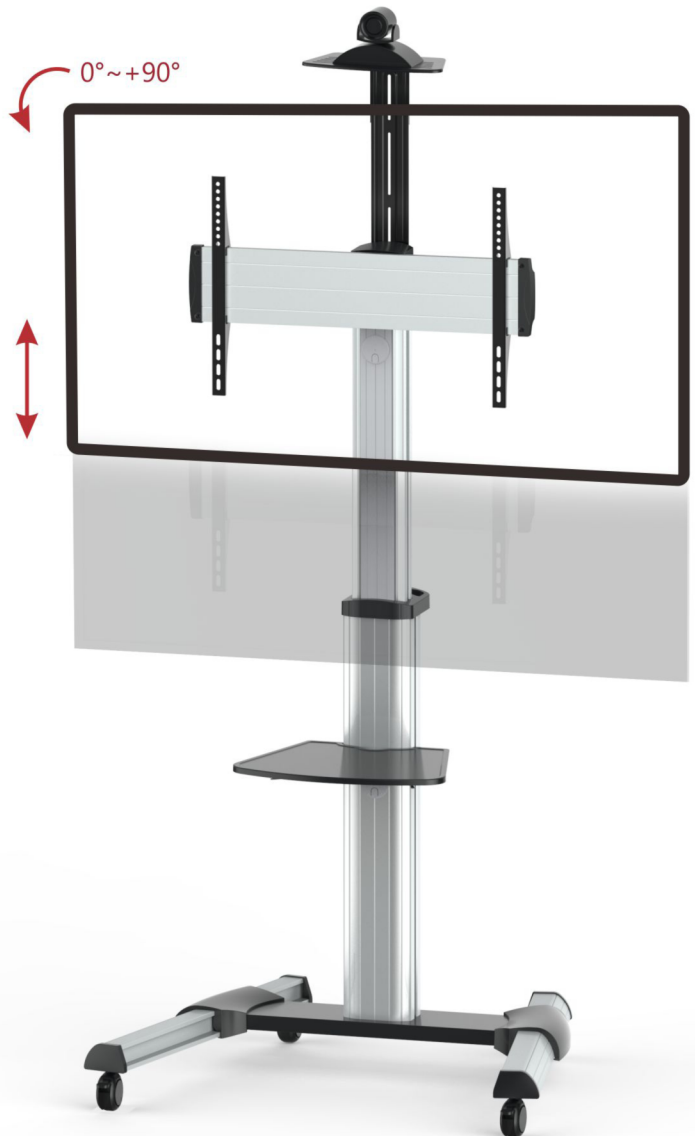
Portrait or Landscape Viewing
promotes a customized placement to match different viewing needs anytime.



Quick Assembly Shelf
assures easy post-installation and height adjustment.



Internal Cable Management
hides wires from view to keep a clutter-free appearance.



Telescopic Height Adjustable TV Cart

TTV04-46TW

VESA Compatible
200x200 400x200
300x300 400x400
600x400

NOTE
37"-70"
MAX VESA 600x400

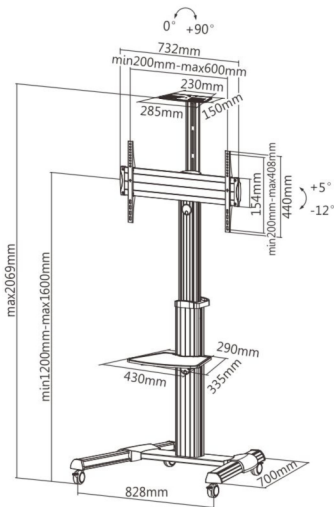
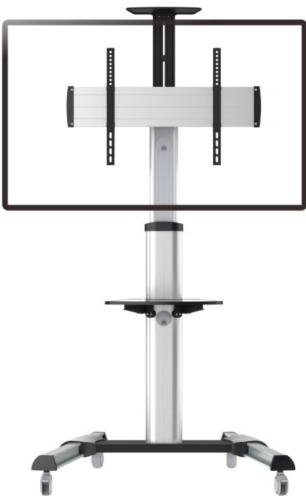
RATED
50kg/110lbs

+5°~-12°

0°~90°

Cable Management

PATENT



Accessory --DVD/AV Shelf

RATED
5kg/11lbs

Material: steel

