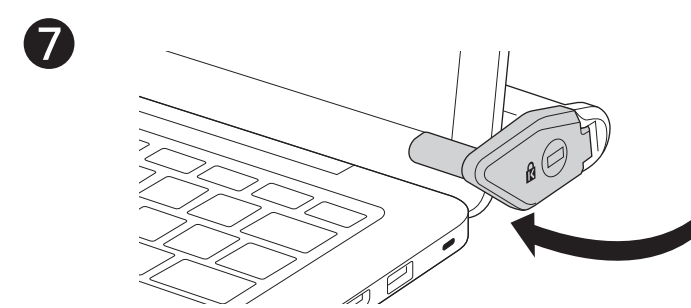
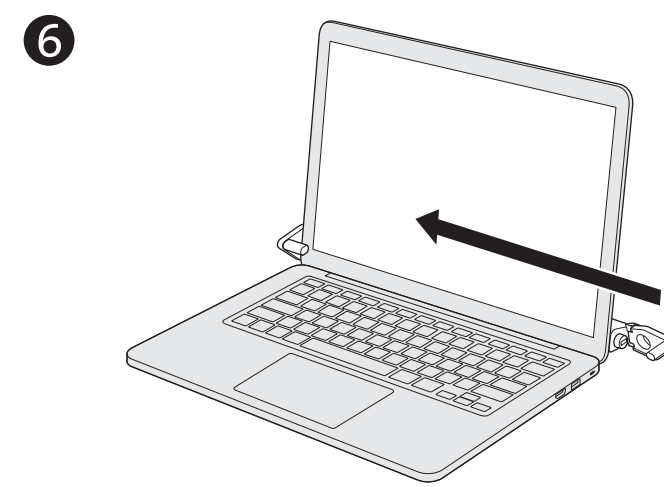
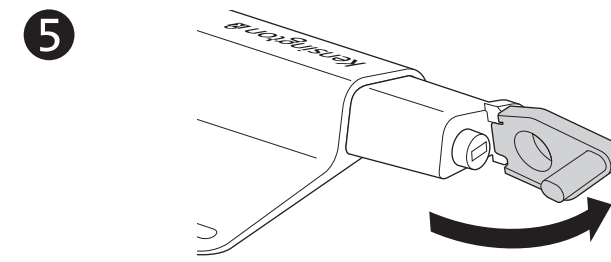
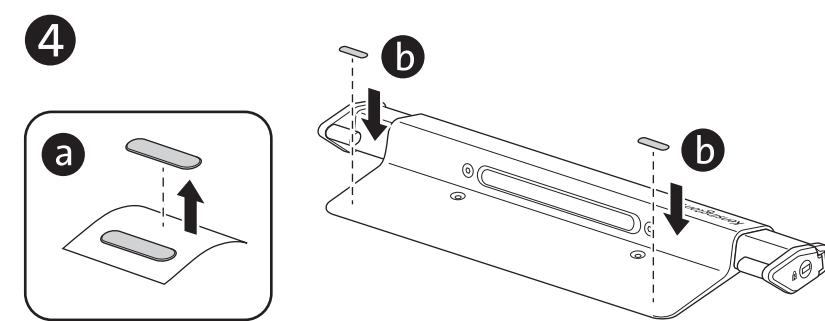
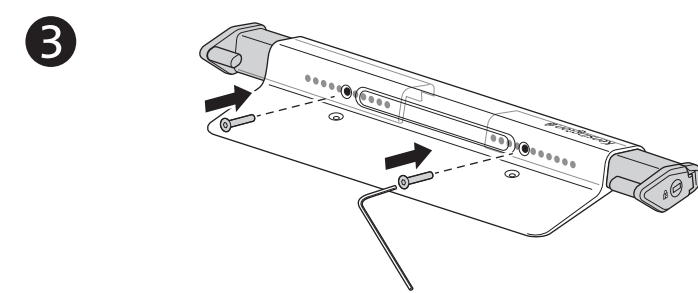
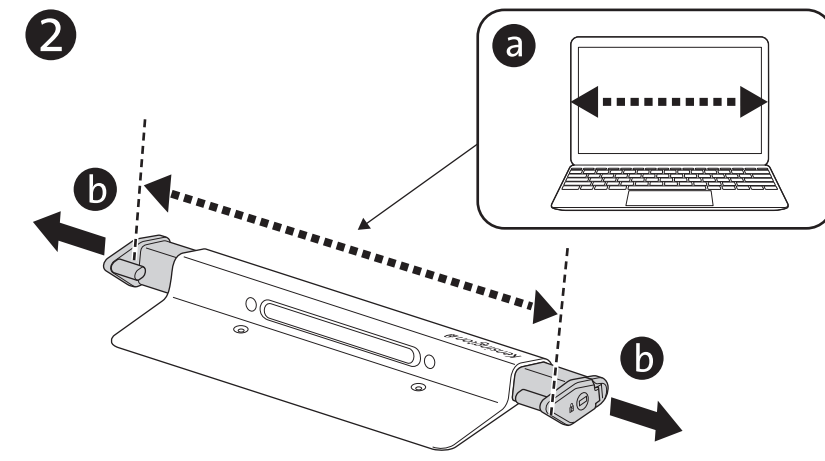
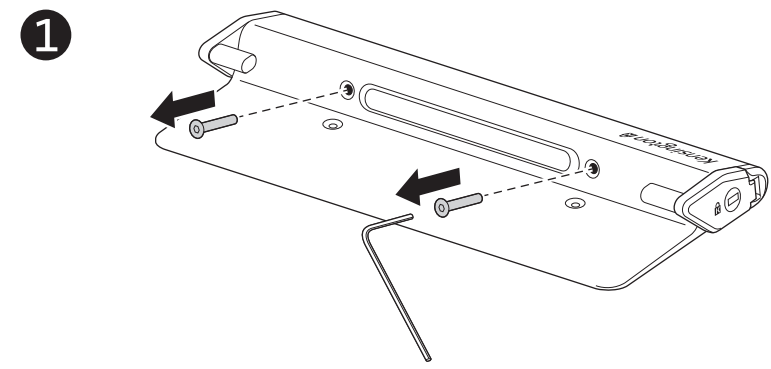
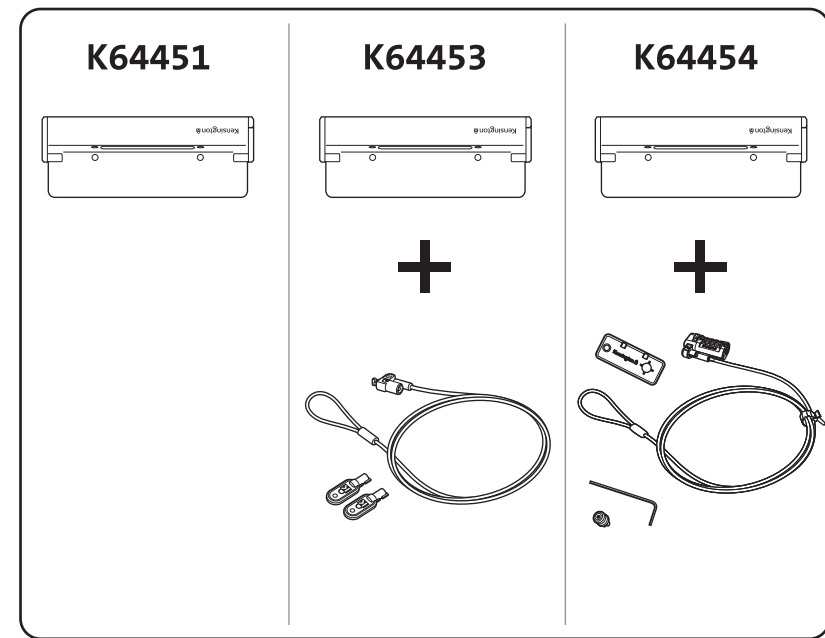
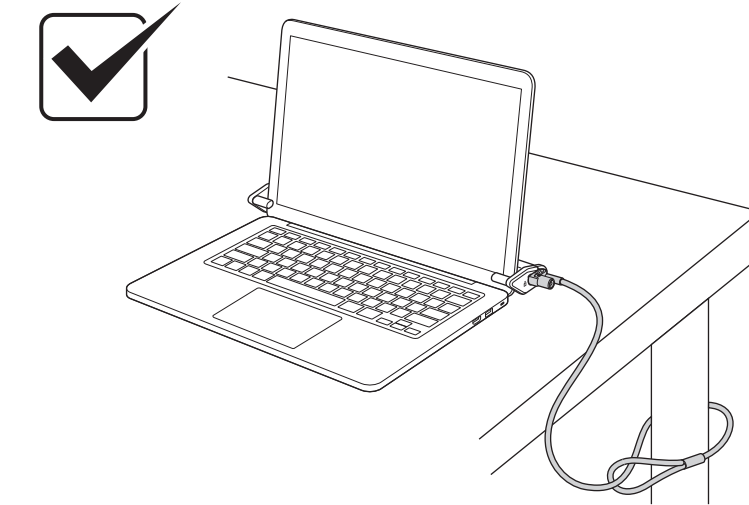
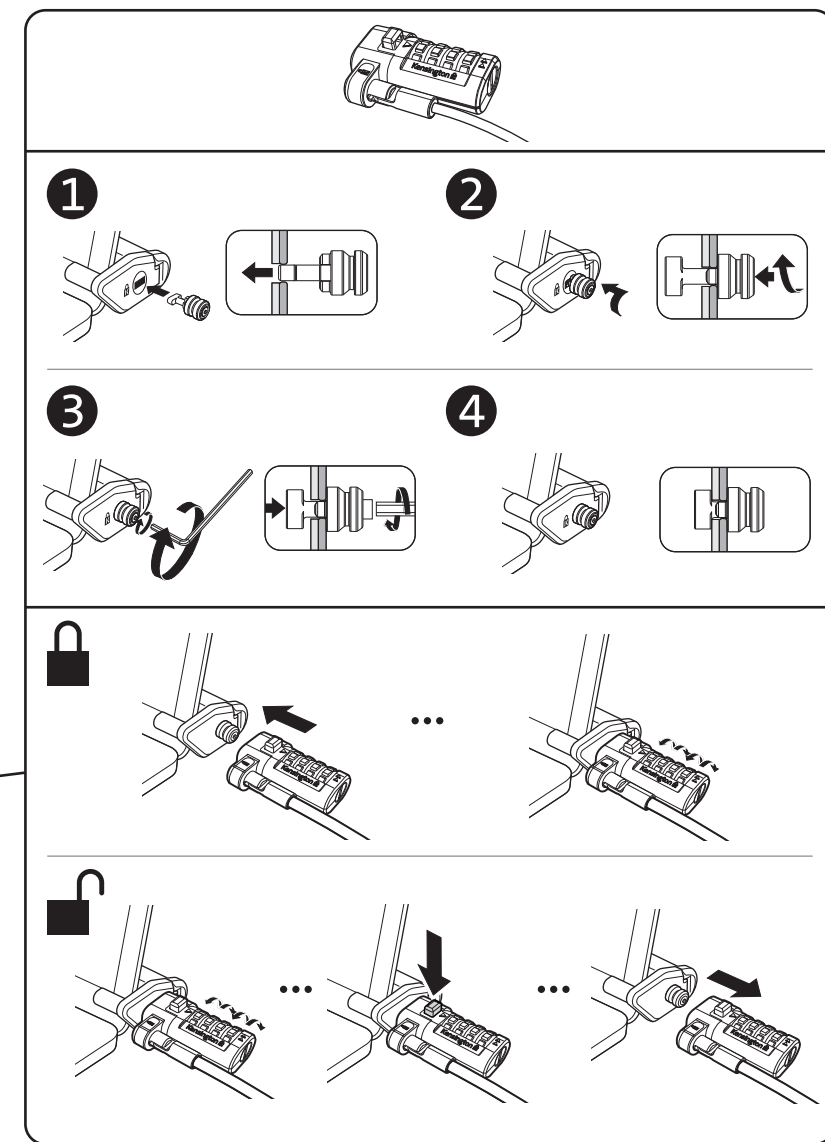
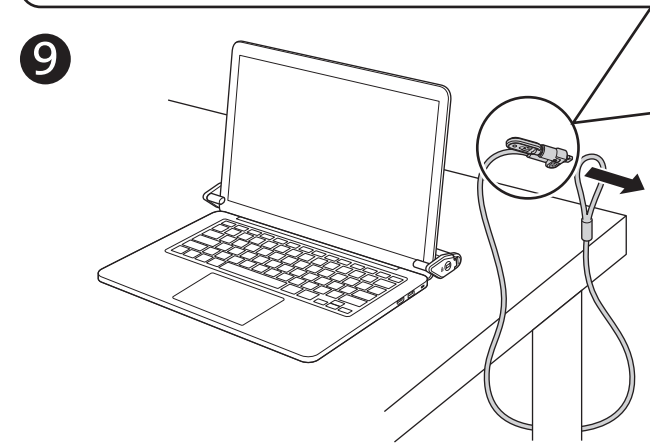
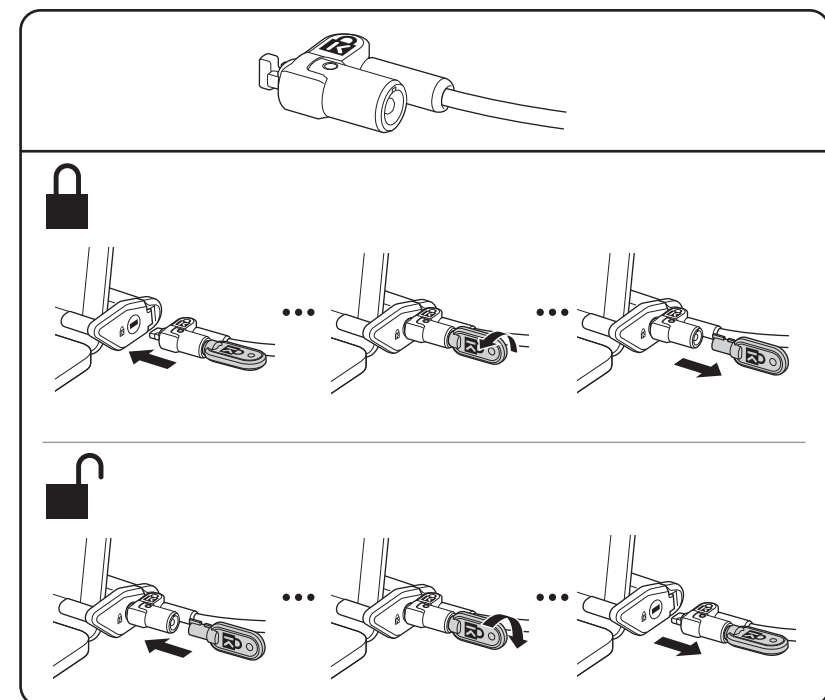
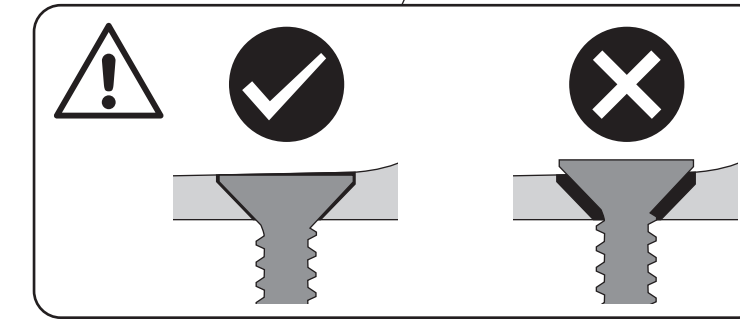
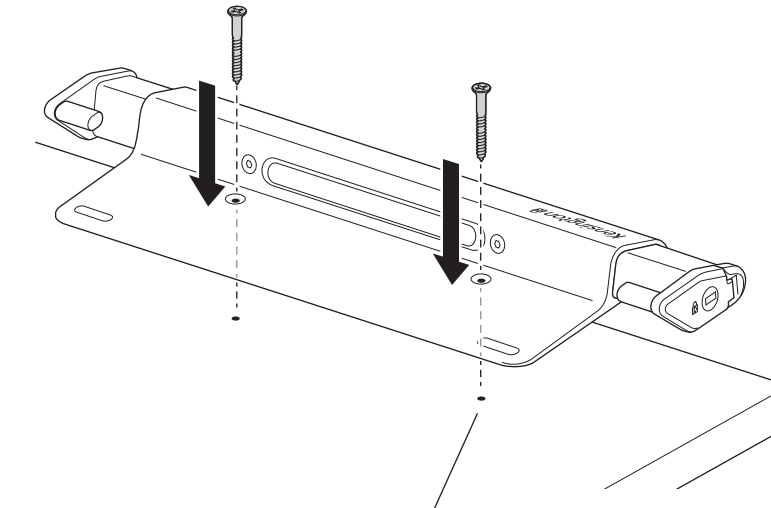
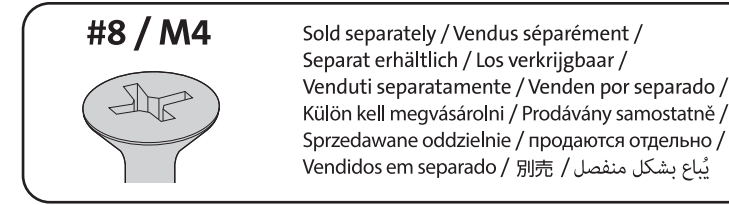


K64451/3/4 Laptop Locking Station 2.0 IG
125mm X 170mm



8 Optional / En option / Optional / Optioneel / Aggiuntivo / Opcional / Választható / Volitelné / Opcjonalna / Дополнительно / Opcional / オプション / اختياري



Kensington and the ACCO name and design, and ClickSafe are registered trademarks of ACCO Brands. All other registered and unregistered trademarks are the property of their respective owners.
©2018 Kensington Computer Products Group, a division of ACCO Brands. Any unauthorized copying, duplicating, or other reproduction of the contents hereof is prohibited without written consent from Kensington Computer Products Group. All rights reserved. 03/18
KensingtonおよびACCOの名称とデザインは、ACCO Brandsの登録商標です。ClickSafeはACCO Brandsの登録商標です。その他のすべての商標登録は、それぞれの所有者の権利です。
©2018 Kensington Computer Products Group, a division of ACCO Brands Kensington Computer Products Group の商標による同意がない限り、内容の複製転載、複写、複製を禁じます。

Kensington Computer Products Group
A Division of ACCO Brands
1500 Fishers Blvd, 3rd Floor
San Mateo, CA 94404
USA

Kensington Computer Products Group
A Division of ACCO Brands Europe
Orford House, Orford Road
Aylesbury, Buckinghamshire, HP21 8SZ
United Kingdom

ACCO Brands Canada Inc
7381 Bramalea Rd
Mississauga, ON L5S 1C4
Canada

ACCO Brands Australia - Kensington
2 Convent Avenue
Kings Park
NSW 2148
Australia

Importado por ACCO Mexicana S.A. de C.V.
Circuito de la Industria Norte #4,
Carretera Industrial Toluca-Termas,
Toluca México Cp. 52004
E/C. AME60229-1003

Associação Brasileira de Distribuição por
TUBERA PRODUTOS DE PAPELARIA LTDA.
CNPJ: 04.990.960/0001-43
Rua Américo, 64 - Itaipava/SP - Brasil
CEP 13103-900

Importazione in Giappone
〒164-8721
東京都中央区本町1-32-2
1F
TEL: 03-5561-1414

<http://www.kensington.com/jp>
E-Mail: jp.kensington@accobrand.com
TEL: 04-7129-2135

www.kensington.com

K64451 / K64453 / K64454

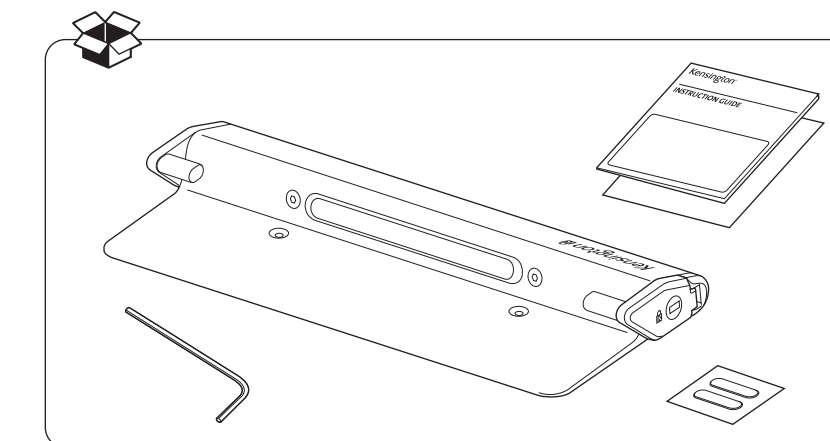
901-8967-03

Kensington®
Laptop Locking Station 2.0

INSTRUCTION GUIDE
GUIDE D'INSTRUCTIONS
BEDIENUNGSANLEITUNG
HANDLEIDING
MANUALE DI ISTRUZIONI
MANUAL DE INSTRUCCIONES
HASZNÁLATI ÚTMUTATÓ

PŘÍRUČKA S POKYNY
INSTRUKCJA OBSŁUGI
РУКОВОДСТВО ПОЛЬЗОВАТЕЛЯ
MANUAL DE INSTRUÇÕES
取扱説明書

دليل التعليمات



Register Now!
Enregistrer maintenant!
Jetzt registrieren!
Nu registreren
Registrar ahora
Regisztráljon most!

Zaregistrujte se nyní!
Zarejestruj się!
Зарегистрироваться!
Registe-se agora!
今すぐ登録を!

سجل الآن!

www.kensington.com/register