

31.482

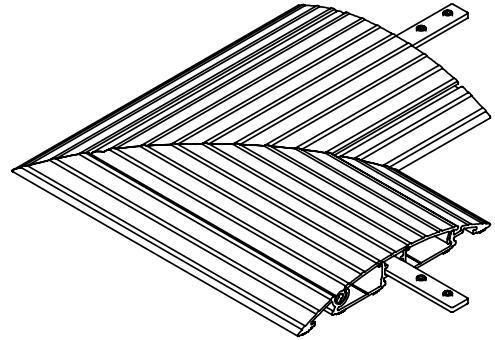
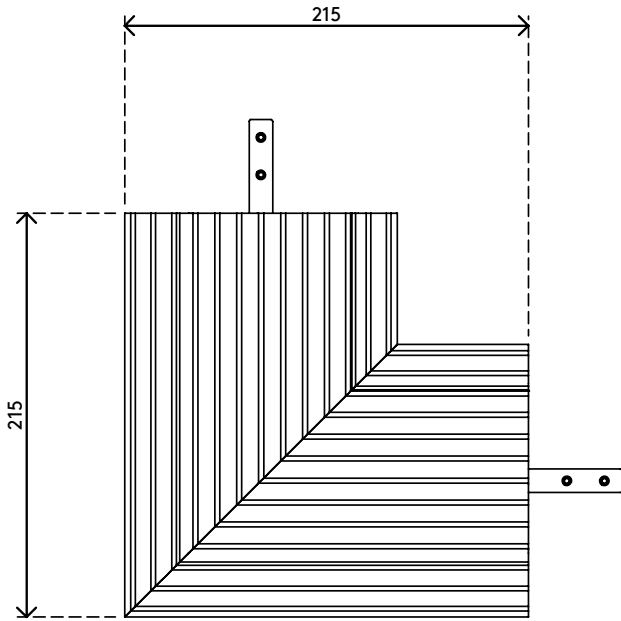
Addit cable protector - corner-connection 482

This Addit cable protector makes it easy to safely get cables across to where you need them to be. The sturdy aluminium construction protects both people and cables by keeping them out of each other's way. Additionally, the hinged cover makes it easy to place, remove or switch out any cable in a matter of seconds.

This corner piece makes it easy to guide cables from A to B. Even when B is just around the corner.

- Made from 80% recycled aluminium
- Ridged top ensures safe slip resistant surface
- Able to carry loads of up to 500 Kgs
- Suitable for 10 cables of 7 mm (0,3") thickness
- Hinged cover provides easy top access to cable ducts
- Underside ridges and friction strips provide grip on all floor types
- Fully recyclable aluminium assembly
- 90° corner piece


addit



Addit cable protector - corner-connection 482

2020/02/27


31.482

 305 x 255 x 85 mm

 1 pcs

 silver

 1,2 kg

 805410314828