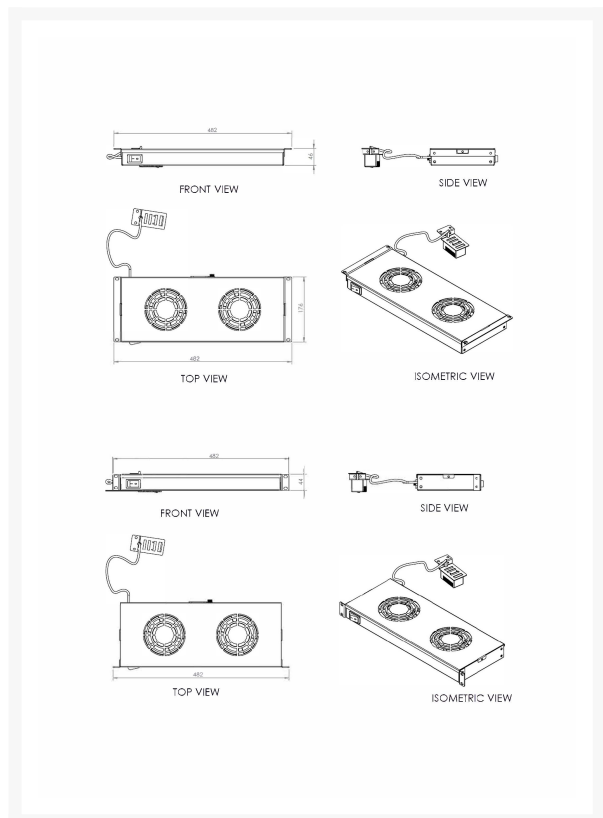


# EQUIP COOLING FANS 19', 1U, 2FANS, RAL7035 GREY

## Product Images



## Short Description

---

2 WAY FAN MODULE RACK MOUNT FAN

## Description

---

2 WAY FAN MODULE THERMOSTAT SWITCHED RACK MOUNT, LIGHT GREY

## Additional Information

---

|                                    |                          |
|------------------------------------|--------------------------|
| Number of cartons per pallet       | 32 piece                 |
| Pallet net weight                  | 15000 gram               |
| Pallet gross volume                | 0 cubic_decimeter        |
| Package volume                     | 3153150 cubic_centimeter |
| Maximum number of stacking cartons | 8 piece                  |
| Pallet net length                  | 1300 millimeter          |
| Pallet net width                   | 1050 millimeter          |
| Pallet net height                  | 2310 millimeter          |
| Manual                             | No                       |
| Mounting kit                       | No                       |
| Size (imperial)                    | 19 inch                  |
| Height                             | 44 millimeter            |
| Width                              | 482 millimeter           |
| Depth                              | 176 millimeter           |
| Material thickness                 | 1 millimeter             |
| Weight                             | 3060 gram                |
| Number of fans                     | 2.0000                   |
| Fan diameter                       | 120 millimeter           |
| Wall mountable                     | No                       |
| Castor wheels                      | No                       |
| Rack capacity                      | 1U                       |
| Number of layers per pallet        | 4 piece                  |
| Pallet gross weight                | 979800 gram              |
| Harmonized System (HS) code        | 853710980019             |
| Carbon footprint                   | 0.5233 kilogram          |
| Quantity per pallet                | 288 piece                |

|                           |                |
|---------------------------|----------------|
| Input voltage             | 240 volt       |
| Input current             | 0.14 ampere    |
| Sustainability compliance | Yes            |
| Quantity per pack         | 9 piece        |
| Package depth             | 250 millimeter |
| Package height            | 60 millimeter  |
| Package width             | 510 millimeter |
| Quick installation guide  | No             |
| Package weight            | 290 gram       |
| Color                     | Light Grey     |
| EAN                       | 4015867233610  |
| Model Number              | EZF-2-G        |

