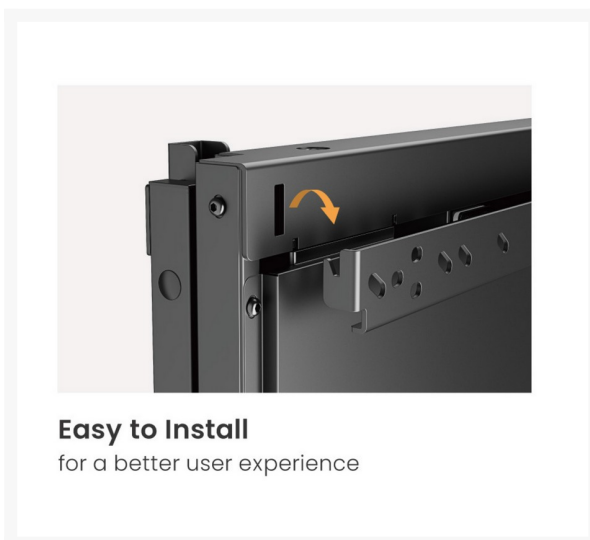
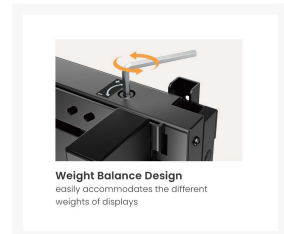


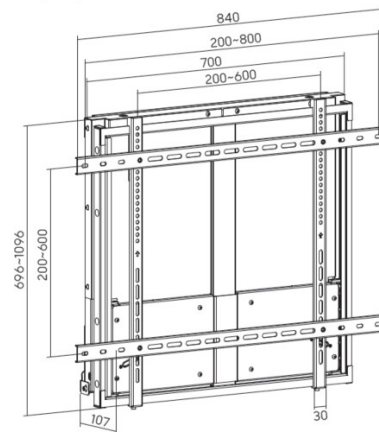
# 650346 60"-100" Interactive Up-Down TV Wall Mount

## Product Images





Dimensions (mm)



## Short Description

- Max VESA: 800 x 600
- Max Loading weight: 90kg
- Built-in Cable management
- VESA standards compliant
- Manual Height-Adjustable Display Wall Mount
- Smooth and Effortless Height Adjustment: high-low adjustment with finger touch positioning
- Weight Balance Design: easily accommodates the different weights of displays
- Heavy-Duty steel construction holds the heaviest TVs with confidence.
- Compact Design: allows the mount to hide behind the screen when not in use
- High Quality Powder-Coated Finish: features a stylish anti-scratch surface

## Description

---

The Equip 650346 60"-100" Interactive Up-Down TV Wall Mount, a game-changer in home entertainment setup. This innovative mount is engineered to provide unparalleled flexibility, convenience, and viewing comfort for TVs ranging from 60 inches to a whopping 100 inches.

Designed with versatility in mind, this mount is compatible with a wide range of television models, ensuring that your large-screen TV fits seamlessly into your living space. Whether you're upgrading your home theater or creating a cutting-edge gaming setup, this mount delivers a tailored viewing experience that adapts to your needs.

The interactive up-down functionality allows you to effortlessly adjust the height of your TV, ensuring optimal viewing angles for every occasion. Say goodbye to uncomfortable neck strain and limited viewing options – with smooth vertical movement, you can easily position your TV to suit your seating arrangement or room layout.

## Additional Information

---

|                              |   |
|------------------------------|---|
| Color                        | Black   |
| EAN                          | 4015867237663   |
| Model Number                 | 650346  |
| Approval and Compliance      | RoHS  |
| Package Contents             | Interactive Up-Down TV Wall Mount Manual screws kits  |
| Dimensions (W x D x H)       | 840 x 107 x 696 mm  |
| Product weight (kg)          | 27.65   |
| Cable management             | No  |
| Compatible Display Size      | 60"-100"  |
| Bracket type                 | Up and down moveable  |
| Installation                 | Solid Wall,Double Stud(406mm/450mm)   |
| Distance to wall             | 107mm   |
| Load Capacity (kg)           | 90  |
| Material                     | Plastic, Stainless Steel, Aluminum  |
| Screens support quantity     | 1   |
| Support Curved TV (Monitors) | No  |
| VESA compatibility           | 200x200,200x300,300x200, 200x400,400x200,300x300, 300x400,400x300,600x200, 350x350,400x400,600x300, 400x600,600x400,700x400, 800x400,600x600,800x500, 800x600 |

