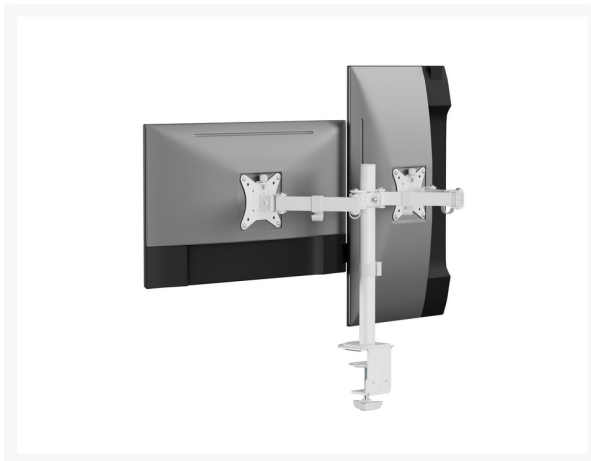
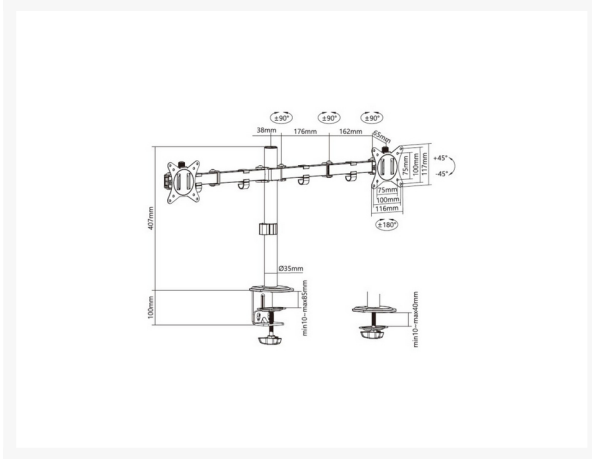


650167 17"-32" Articulating Dual Monitor Desk Mount Bracket, White

Product Images





Short Description

- Mounting Option: Clamp (10-85mm) /Grommet (10-40mm)
- Max. Load Capacity: 9kg (per screen)
- Max. VESA: 100x100
- Screen Rotation: 360°
- Mounting Option: Clamp/Grommet
- Full motion mount
- Height adjustment
- VESA standards compliant
- Free-tilting design for multiple monitor viewing angles
- Detachable VESA Plate Design
- Portrait or Landscape viewing : fits any installation
- Cable clips keep cables organized and protected

Description

The equip 650167 Dual Monitor Desk Mount Bracket is a versatile mounting solution for monitors sized between 17 inches and 32 inches your LCD/LED monitor. It offers adjustable articulation, allowing you to tilt, swivel, and rotate your monitor for ergonomic viewing positions.

The bracket is designed to free up desk space and create a streamlined setup. Its durable construction ensures stability and support for your monitor. With a white finish, it adds a modern touch to your workspace. Easy to install and with cable management features, this dual desk mount bracket is ideal for creating a comfortable and organized work environment.

A convenient phone slot located on the base. A detachable VESA plate for user-friendly installation.

Additional Information

Color	White
EAN	4015867237632
Model Number	650167
Approval and Compliance	RoHS
Package Contents	Articulating Dual Monitor Desk Mount Bracke Manual screws kits
Dimensions (W x D x H)	869 x 112 x 561 mm
Product weight (kg)	3.46
Cable management	Yes
Pipe Size (Pole height)	407mm
Quick Installation VESA Plate	Yes
Compatible Display Size	17"-32"
Installation	Clamp,Grommet
Load Capacity (kg)	9
Material	Plastic, Stainless Steel
Mount	Desk mount
Pan (Swivel) range	+90°~-90°
Screen Rotation	+180°~-180°
Screens support quantity	2
Support Curved TV (Monitors)	Yes
Tilt range	+45°~-45°
VESA compatibility	75x75,100x100

