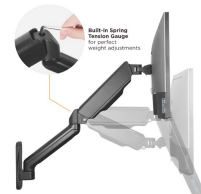


650138 17"-32" Dual Monitor Wall-Mounted Bracket

Product Images



Cable Management creates a neat look



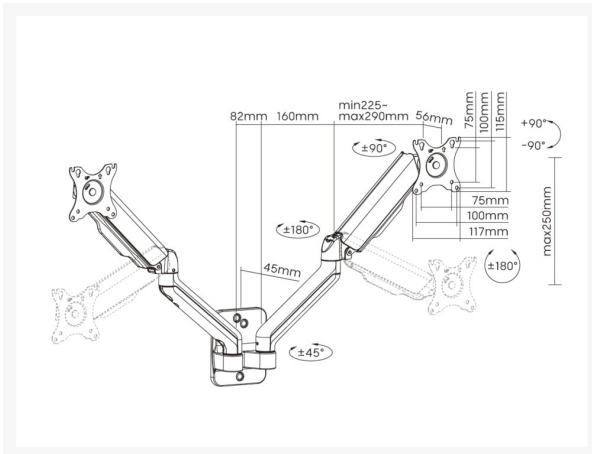
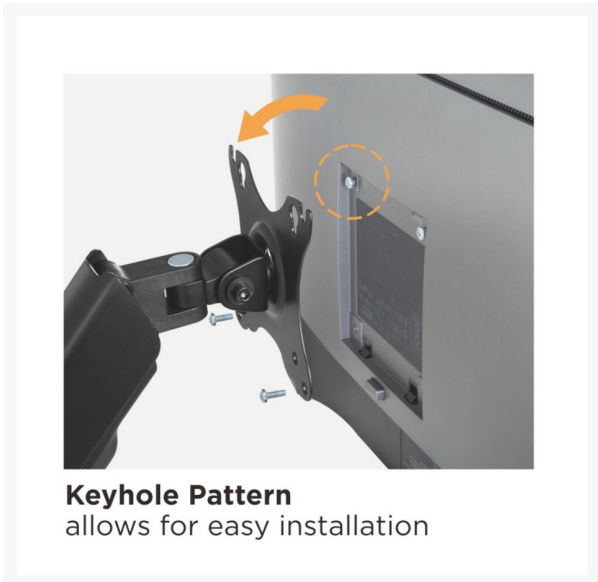
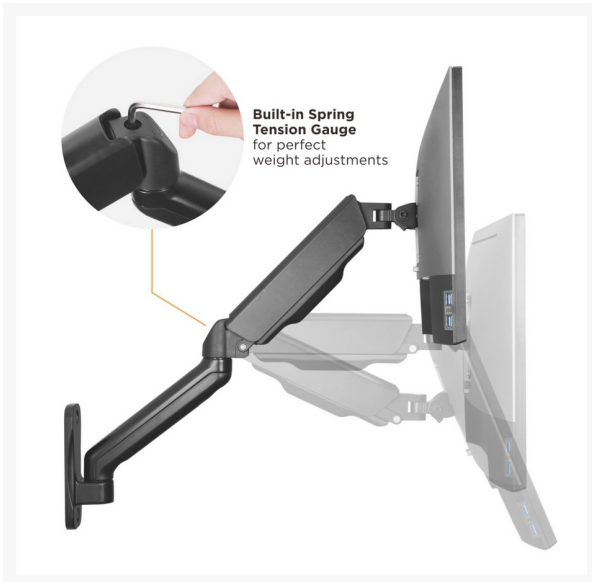
Built-in Spring Tension Device for perfect weight adjustments



Keyhole Pattern allows for easy installation



Cable Management creates a neat look



Short Description

- Max. Load Capacity: 9Kg (Per screen)
- Max. VESA: 100x100
- Screen Rotation: 180°

- Spring-Assisted Mechanism: allows to easily move up and down
- Built-in Spring Tension Mechanism: for perfect weight adjustments
- Free-Tilting Design: for multiple viewing experiences
- Built-in Cable management
- VESA standards compliant

Description

The Equip 650138 17"-32" Dual Monitor Wall-Mounted Bracket offers a versatile and space-saving solution for mounting two monitors side by side. Designed to accommodate monitors ranging from 17 inches to 32 inches in size, this bracket is suitable for a variety of setups, whether in the office, home, or gaming environment.

Constructed from high-quality materials, the bracket ensures durability and stability, providing a secure mounting option for your monitors. Its adjustable design allows for flexible positioning, enabling you to tilt, swivel, and rotate each monitor to achieve the optimal viewing angle and reduce glare.

Additional Information

Color	Black
EAN	4015867237618
Model Number	650138
Approval and Compliance	RoHS
Package Contents	Dual Monitor Wall-Mounted Bracket Manual screws kits
Dimensions (W x D x H)	969 x 101 x 503 mm
Product weight (kg)	3.36
Cable management	Yes
Quick Installation VESA Plate	No
Compatible Display Size	17"-32"
Installation	Wall Mounted
Load Capacity (kg)	2~9kg
Material	Plastic, Stainless Steel, Aluminum
Mount	Wall mount
Pan (Swivel) range	+90°~-90°
Screen Rotation	+180°~-180°
Screens support quantity	2
Support Curved TV (Monitors)	Yes
Tilt range	+90°~-90°
VESA compatibility	75x75,100x100

