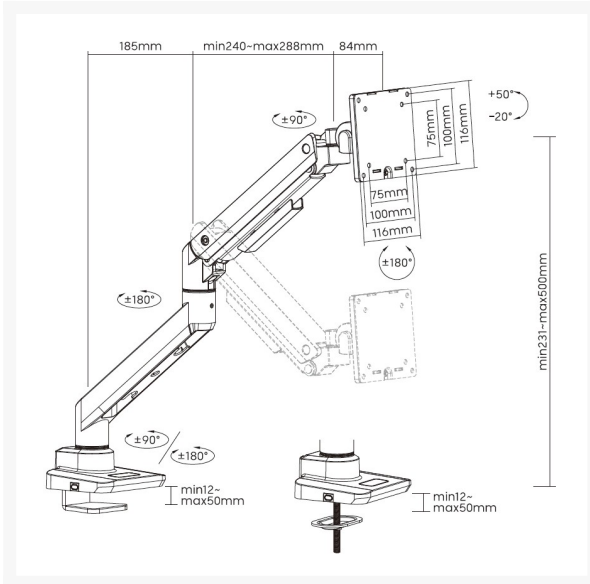


650181 17"-49" Heavy-Duty Monitor Desk Mount Bracket, White

Product Images





Short Description

- Max. Load Capacity: 20Kg (per screen)
- Max. VESA: 100x100
- Sturdy and lightweight aluminum construction
- Gas spring structure offers perfect counterbalance presentation in all directions
- Built-in spring tension gauge can be easily adjusted to fit varied weights on the arm
- VESA standards compliant
- Free-tilting design for multiple monitor viewing angles
- Detachable VESA Plate Design
- Cable clips keep cables organized and protected

Description

The Equip 650181 17"-49" Heavy-Duty Monitor Desk Mount Bracket is a robust and versatile solution designed to support larger monitors, ranging from 17 inches to 49 inches in size. This heavy-duty mount is ideal for users who require a durable and reliable solution for managing larger displays in their workspace.

Built with a sturdy construction, the heavy-duty desk mount bracket ensures stability and secure support for monitors with varying weights. The adjustable design allows for versatile positioning, catering to the needs of professionals, creative designers, and gamers alike. Whether you're working on complex tasks, editing videos, or gaming, this mount provides flexibility in arranging and aligning your larger monitors.

Additional Information

Color	White
EAN	4015867236062
Model Number	650181
Compatible Display Size	17"-49"
Approval and Compliance	RoHS & REACH
Package Contents	Desk Mount Bracke User Manual Screws kits
Product weight (kg)	3.59
Dimensions (W x D x H)	132 x 558 x 575 mm
Screen Rotation	+180°~-180°
Quick Installation VESA Plate	Yes
Support Curved TV (Monitors)	Yes
Cable management	Yes
Installation	Clamp,Grommet
Material	Plastic, Stainless Steel, Aluminum
VESA compatibility	75x75,100x100
Tilt range	+50°~-20°
Screens support quantity	1
Pan (Swivel) range	+90°~-90°
Mount	Desk mount
Load Capacity (kg)	20kg

