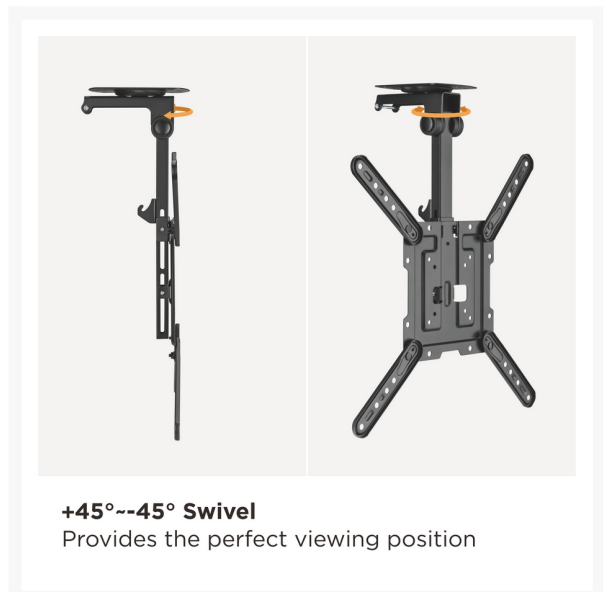
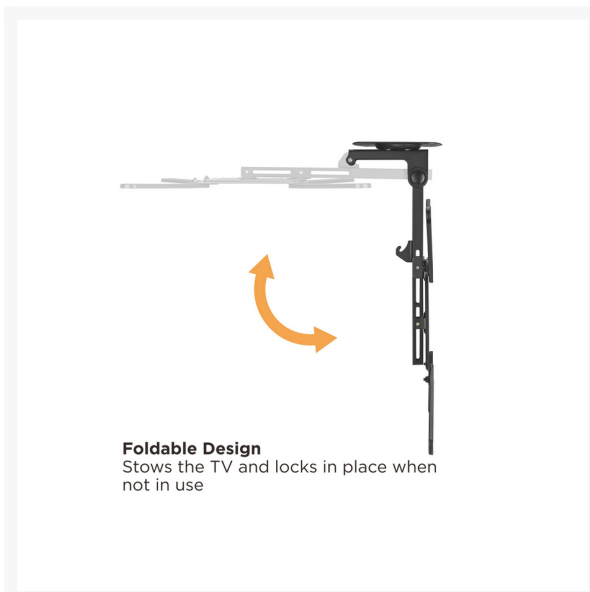
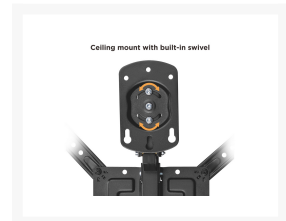
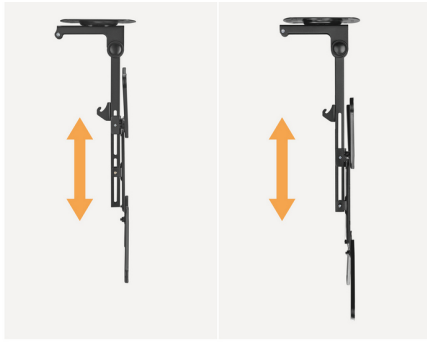


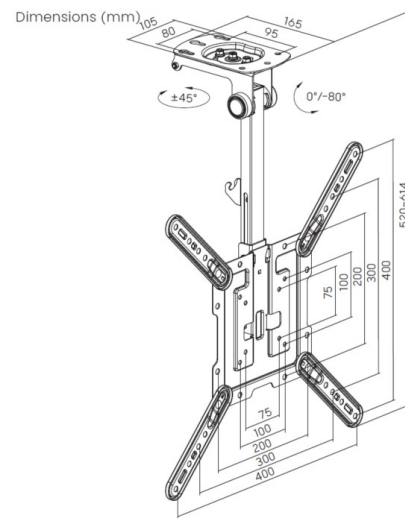
650375 23"-55" Ceiling Mount TV Bracket

Product Images





Adjustable Vertical Rail
Easily adjust to preferred height



Short Description

- Max. Load Capacity: 20kg
- Max. VESA: 400x400
- Folding Design: save space when Screen not be used.
- Telescopic height adjustment for optimum visibility
- Freely angling and swiveling for different viewing angles
- Flexible Sliding Rails: to adjusting screen height
- VESA standards compliant

Description

The Equip 650375 23"-55" Ceiling Mount TV Bracket is a versatile and practical solution for mounting your television on the ceiling. This bracket is designed to accommodate TVs with screen sizes ranging from 23 inches to 55 inches, offering flexibility for various viewing setups.

Featuring a sturdy and durable construction, the ceiling mount TV bracket ensures

stability and secure support for your television. The adjustable design allows you to customize the viewing angle, making it suitable for a variety of room configurations. This is particularly useful for spaces where wall mounting may not be practical or desired.

Installation is straightforward, and the bracket is compatible with a range of ceiling heights. The versatile design is ideal for both residential and commercial settings, such as living rooms, bedrooms, conference rooms, or retail spaces.

Additional Information

Color	Black
EAN	4015867236116
Model Number	650375
Approval and Compliance	RoHS & REACH
Package Contents	Ceiling Mount TV Bracket User Manual Screws kits
Product weight (kg)	2.11
Dimensions (W x D x H)	614 x 435 x 165 mm
Support Curved TV (Monitors)	Yes
Cable management	No
Installation	Ceiling Mounted
Material	Stainless Steel
Distance to wall	83mm
Bracket type	Tiltable & Swivel
VESA compatibility	75x75,100x100,100x200, 200x100,200x200,200x300, 300x200,200x400,400x200, 300x300,300x400,400x300, 400x400
Tilt range	0/-80°
Screens support quantity	1
Pan (Swivel) range	+45°~-45°
Mount	Ceiling mount
Load Capacity (kg)	20

