

58.222

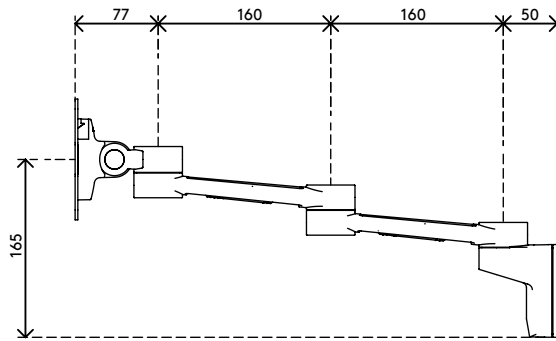
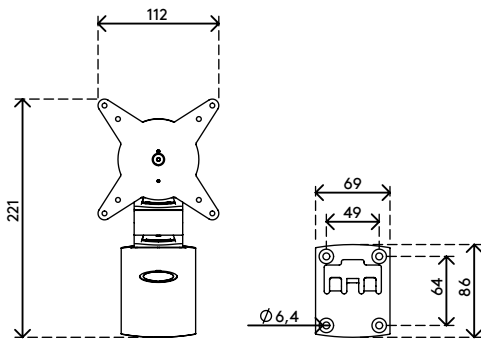
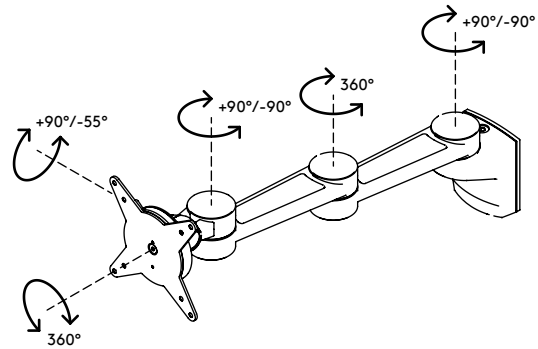
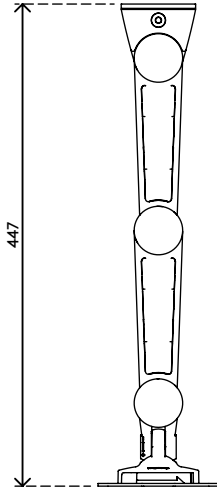
## Viewlite monitor arm - wall 222

Free up desk space with this wall-mounted monitor arm. Double extensions let you adjust the monitor's depth independently, making it ideal to span a deep desktop surface. Cables are easily hidden in the arm's aluminium extensions to create a tidy, professional impression.

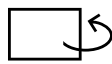
- Fixed height
- Independent depth adjustment
- Integrated cable management
- Main components made of aluminium
- 40% of aluminium content is already recycled
- VESA MIS-D 75 x 75/100 x 100 mm compatible

- Monitor: tilt +90°/-55°, swivel +90°/-90°, rotate 360°
- Arm: swivel +90°/-90°
- Weight capacity max. 8 kg (17,6 lb) per monitor
- Comes with a wall mount
- Fitted with a practical quick-release VESA system
- Monitor rotation lock can be enabled

# viewlite X



+90°/-55°



+90°/-90°



360°



75 x 75/100 x 100



8 kg (17,6 lb)

Viewlite monitor arm - wall 222

2019/11/19


# 58.222

 347 x 217 x 128 mm

 1 pcs

 silver-white

 1,84 kg

 805410582227