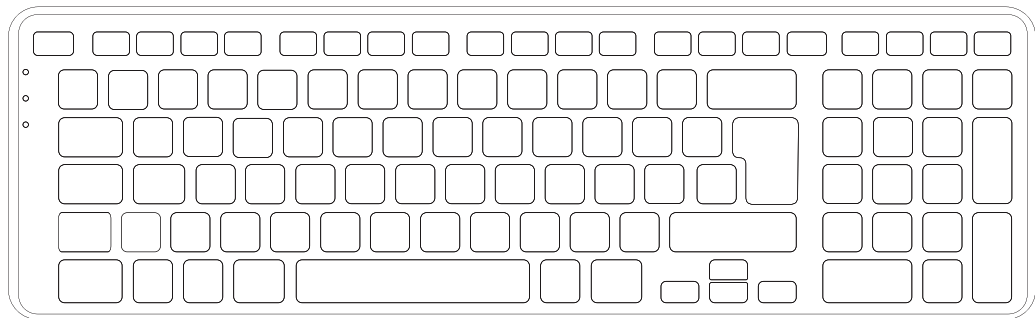


Balance Keyboard BK Wireless



www.contourdesign.com

What's In The Box

1. Balance Keyboard
2. Dongle, USB extender cable*
3. Two AAA batteries

*Please find accessories in #2 attached together in the box.

*Please visit www.contourdesign.com to view product manuals available in Swedish, Danish, Norwegian, and Finnish.

Functions

A. Media control

B. Application functions

C. Interface functions

D. Fn key*

E. Risers

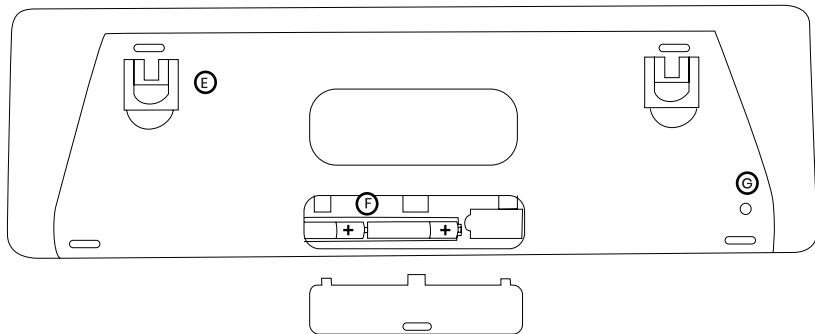
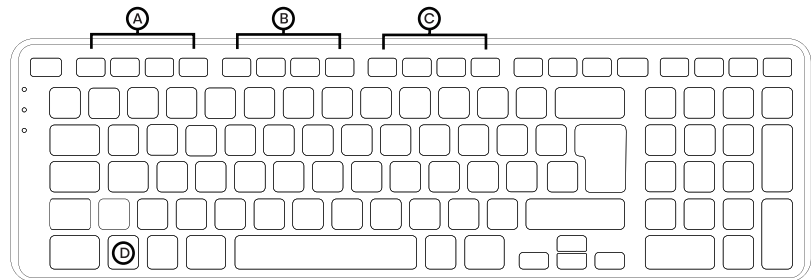
F. Battery compartment
and dongle storage

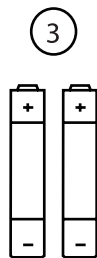
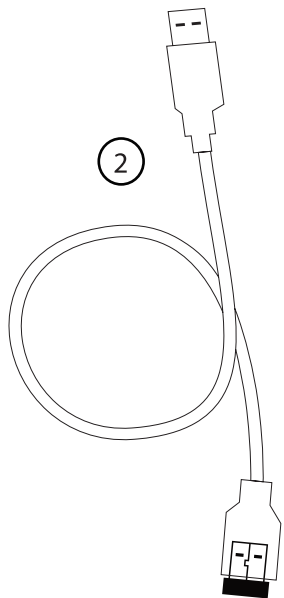
G. Power button**

*The Fn key toggles between function (F1-F12) and media modes. By default, the media keys are active.

**Removing the tab from the battery compartment will power on the device for the first time. Turning off the device is only necessary for long-term storage or travel.

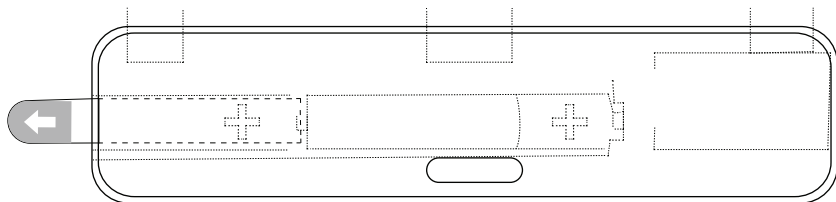
1





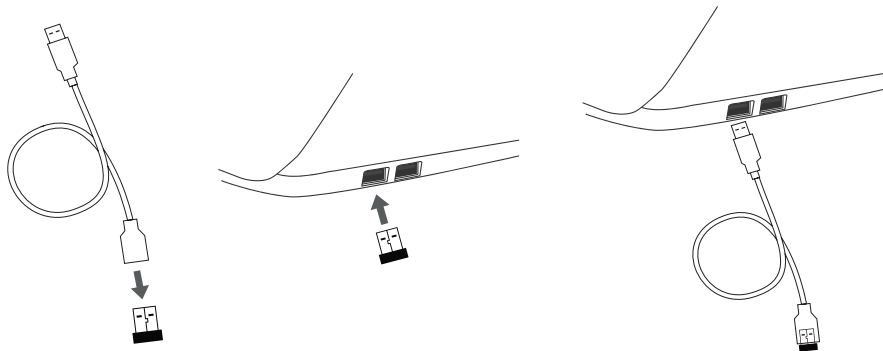
Getting Started

To use your Balance Keyboard, pull the tab from the battery compartment. Removing the tab from the battery compartment will power on the device for the first time.



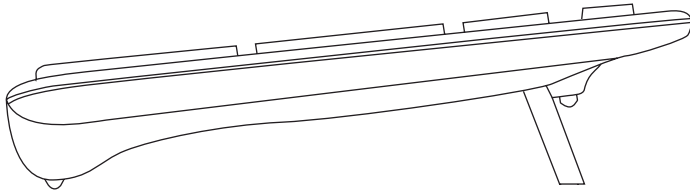
Your dongle and USB extender cable come attached in the box. Remove the dongle from the extender cable and plug the dongle into your computer's USB port.

*To maximize wireless range, we recommend using the extender cable provided. To do this, keep the dongle and cable attached, then plug the extender cable into your computer's USB port.

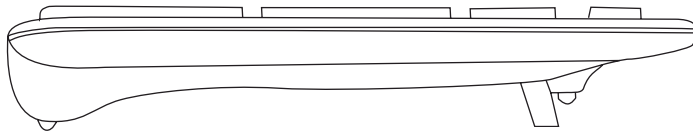


Keyboard Tilt

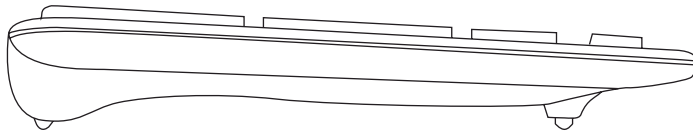
The adjustable legs on the Balance Keyboard have three tilt options (positive, neutral, and negative).



Positive



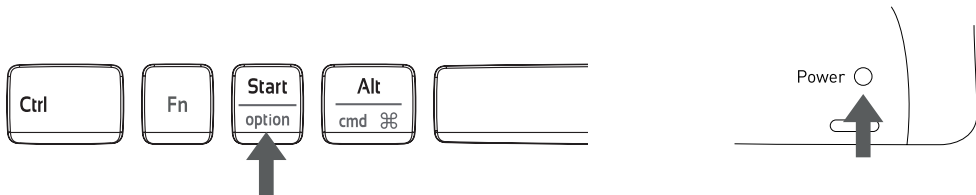
Neutral



Negative

PC Mode and Mac Mode

By default, the Balance Keyboard is in PC mode. To switch between Mac and PC mode, press and hold the Start/Option key, then press the power button (located on the underside of the keyboard). The LED lights on the Balance Keyboard will flash in succession to indicate that the mode has been switched.





2-year Warranty

All Contour Design products come with a **2-year Warranty**.



Product Support

For information on software drivers, product manuals, and advanced product settings such as thin client mode, please visit contourdesign.com/support



Sales Support

If you have questions about your recent purchase, email us:
United States: ergoinfo@contourdesign.com
All other countries: support@contour-design.com

Contour