

## 3FE47582BC-AO

Alcatel-Lucent Nokia® 3FE47582BC Compatible TAA GPON OLT SFP C+ Transceiver (1490nmTx/1310nmRx, 2.5Gbps/1.25Gbps, 32dBm, SC, Rugged)

### Features

- INF-8074 and SFF-8472 Compliance
- Simplex SC Connector
- Industrial Temperature -40 to 85 Celsius
- Single-mode Fiber
- Hot Pluggable
- Excellent ESD Protection
- Metal with Lower EMI
- RoHS Compliant and Lead Free



### Applications

- GPON
- Access and Enterprise

### Product Description

This Alcatel-Lucent Nokia® 3FE47582BC compatible SFP transceiver provides 2.4Gbps/1.2Gbps-C+ throughput up to 20km over single-mode fiber (SMF) using a wavelength of 1490nmTx/1310nmRx via a SC connector. It is guaranteed to be 100% compatible with the equivalent Alcatel-Lucent Nokia® transceiver. This easy to install, hot swappable transceiver has been programmed, uniquely serialized and data-traffic and application tested to ensure that it will initialize and perform identically. Digital optical monitoring (DOM) support is also present to allow access to real-time operating parameters. This transceiver is Trade Agreements Act (TAA) compliant. We stand behind the quality of our products and proudly offer a limited lifetime warranty.

AddOn's transceivers are RoHS compliant and lead-free.

TAA refers to the Trade Agreements Act (19 U.S.C. & 2501-2581), which is intended to foster fair and open international trade. TAA requires that the U.S. Government may acquire only "U.S. – made or designated country end products."



## Regulatory Compliance

- ESD to the Electrical PINs: compatible with MIL-STD-883E Method 3015.4
- ESD to the LC Receptacle: compatible with IEC 61000-4-3
- EMI/EMC compatible with FCC Part 15 Subpart B Rules, EN55022:2010
- Laser Eye Safety compatible with FDA 21CFR, EN60950-1& EN (IEC) 60825-1,2
- RoHS compliant with EU RoHS 2.0 directive 2015/863/EU

## Absolute Maximum Ratings

Parameter	Symbol	Min.	Typ.	Max.	Unit	Notes
Maximum Supply Voltage	V <sub>cc</sub>	-0.5		4.0	V	1
Storage Temperature	T <sub>sto</sub>	-40		85	°C	2
Operating Case Temperature	T <sub>op</sub>	-40		85	°C	
Data Rate	DR		2488/1244		Mb/s	3
Bit Error Rate	BER			10 <sup>-10</sup>		

### Notes:

1. For electrical power interface
2. Ambient temperature
3. Downstream/Upstream

## Electrical Characteristics (V<sub>cc</sub>=3.14V to 3.46V, T<sub>c</sub>=- 40°C to 85°C)

Parameter	Symbol	Min.	Typ.	Max.	Unit	Notes
Input Voltage	V <sub>cc</sub>	3.14	3.30	3.46	V	
Power Supply Current	I <sub>cc</sub>			450	mA	
Differential data input swing	V <sub>in,pp</sub>	600		1600	mV	
Input differential impedance	R <sub>in</sub>		100		Ω	
Differential data output swing	V <sub>out, pp</sub>	400		1600	mV	
Input Signal Level (LVTTTL H)	V	2.0		V <sub>CC</sub>	V	
Input Signal Level (LVTTTL L)	V	0		0.8		
Output Signal Level (LVTTTL H)	V	2.4		V <sub>CC</sub>	V	
Output Signal Level (LVTTTL L)	V	0		0.4	V	

**Optical Characteristics** ( $V_{CC}=3.14V$  to  $3.46V$ ,  $T_C=-40^{\circ}C$  to  $85^{\circ}C$ )

Parameter	Symbol	Min.	Typ.	Max.	Unit	Notes
<b>Transmitter</b>						
<b>Transmitter Type</b>	1490nm DFB Laser with Isolator					1
<b>Downstream Signaling Speed</b>	STX		2488		Mb/s	
<b>Output Optical Power</b>	PTX	3		7	dBm	2
<b>Optical Output with TX OFF</b>	Pout_off			-40	dBm	
<b>Optical Extinction Ratio</b>	ER	8.2			dB	
<b>Optical Center Wavelength</b>	$\lambda_c$	1480		1500	nm	
<b>Spectral Width (-20dB)</b>	$\Delta\lambda$			1	nm	
<b>Side Mode Suppression Ratio</b>	SMSR	30			dB	
<b>Output Eye</b>	Compliant with G.984. 2			Data Rate=2488Mb/s		
<b>Receiver</b>						
<b>Receiver Type</b>	1310nm APD/TIA burst-mode Receiver					
<b>Signaling Speed</b>	Srx		1244		MB/s	
<b>Optical Center Wavelength</b>	$\lambda_c$	1280	1310	1360	Nm	
<b>Average Rx Sensitivity @1244Mb/s</b>	Rx_sen			-30	dBm	3
<b>Burst Sensitivity Receiver Overload</b>	Pmax	-12			dBm	
<b>Receiver Burst Mode Dynamic Range</b>		15			dB	
<b>LOS Assert</b>	LOS_A	-45			dBm	
<b>LOS De-Assert</b>	LOS_D			-32	dBm	
<b>LOS Hysteresis</b>	LOS_H	0.5				

**Notes:**

1. Continuous-mode
2. Class 1 Product
3. @BER  $10^{-10}$  PRBS  $2^{23}-1$

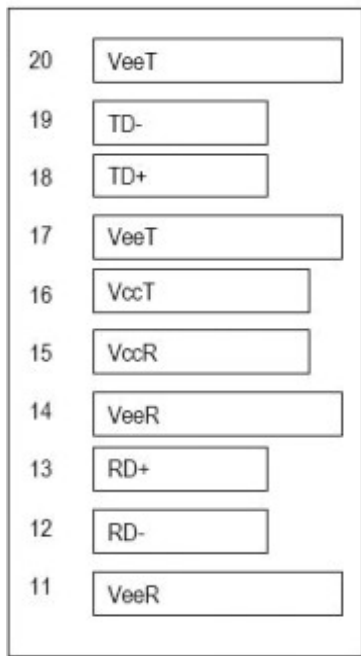
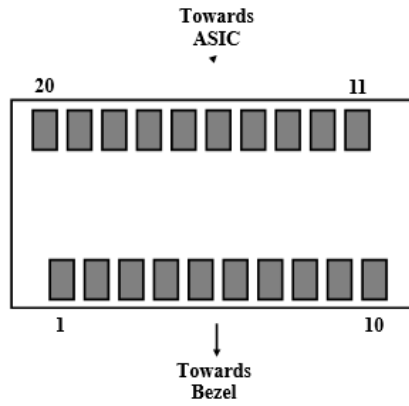
## Pin Descriptions

Pin	Symbol	Name/Descriptions	Ref.
1	VEET	Transmitter ground (common with receiver ground)	1
2	TFAULT	Transmitter Fault.	
3	TDIS	Transmitter Disable. Laser output disabled on high or open	2
4	MOD_DEF (2)	Module Definition 2. Data line for serial ID	3
5	MOD_DEF (1)	Module Definition 1. Clock line for serial ID	3
6	MOD_DEF (0)	Module Definition 0. Grounded within the module	3
7	RESET	Receiver Reset	4
8	BPD	Burst Packet Detect	5
9	RSSI Trigger	RSSI Trigger Signal From Host	6
10	VEER	Receiver ground (common with transmitter ground)	1
11	VEER	Receiver ground (common with transmitter ground)	1
12	RD-	Receiver Inverted DATA out. AC coupled	
13	RD+	Receiver Non-inverted DATA out. AC coupled	
14	VEER	Receiver ground (common with transmitter ground)	1
15	VCCR	Receiver power supply	
16	VCCT	Transmitter power supply	
17	VEET	Transmitter ground (common with receiver ground)	1
18	TD+	Transmitter Non-Inverted DATA in. AC coupled	
19	TD-	Transmitter Inverted DATA in. AC coupled	
20	VEET	Transmitter ground (common with receiver ground)	1

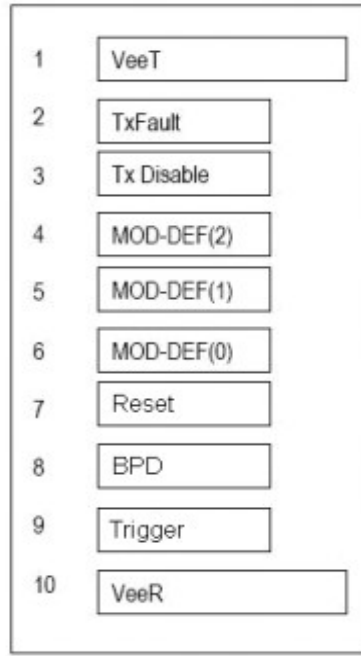
### Notes:

1. Circuit ground is isolated from chassis ground
2. Disabled:  $T_{DIS} > 2V$  or open, Enabled:  $T_{DIS} < 0.8V$
3. Should Be pulled up with 4.7k – 10k ohm on host board to a voltage between 2V and 3.6V
4. Reset is a LVTTTL input which is used to clear receiver status before receiving the next burst packet
5. BPD is a LVTTTL output. High Level indicates that burst packet is detected by the receiver
6. RSSI Trigger is a LVTTTL input from host for starting ADC of digital RSSI circuit to sample the analog RSSI signal

**Electrical Pad Layout**



**Top of Board**



**Bottom of Board (as viewed thru top of board)**

### **Digital Diagnostic Functions**

This transceiver supports the 2-wire serial communication protocol as defined in the SFP MSA. Digital diagnostic information is accessible over the 2-wire interface at the address 0xA2. Digital diagnostics for this module are internally calibrated by default. A micro controller unit inside the transceiver gathers the monitoring information and reports the status of transceiver.

**Transceiver Temperature**, internally measured, represented as a 16 bit signed twos complement value in increments of 1/256 degrees Celsius, Temperature accuracy is better than  $\pm 3$  degrees Celsius over specified operating temperature and voltage.

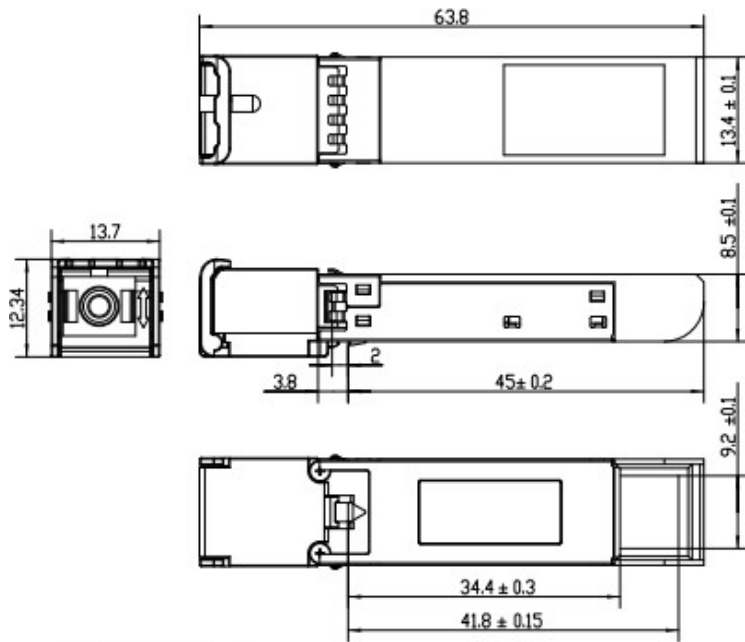
**Transceiver Supply Power**, internally measured, represented as a 16 bit unsigned integer with the voltage defined as the full 16 bit value (0 – 65535) with LSB equal to 100  $\mu$ Volt, yielding a total range of 0 to +6.55 Volts.

**Transceiver TX bias current**, internally measured, represented as a 16 bit unsigned integer with the current defined as the full 16 bit value (0 – 65535) with LSB equal to 2  $\mu$ A, yielding a total range of 0 to 131mA. Accuracy is better than  $\pm 10\%$  over specified operating temperature and voltage.

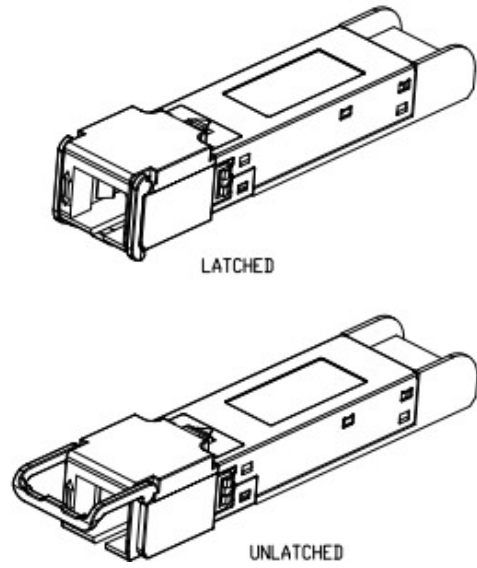
**Transceiver TX output power**, internally measured, represented as a 16 bit unsigned integer with the power defined as the full 16 bit value (0 – 65535) with LSB equal to 0.1  $\mu$ W. Data is assumed to be based on measurement of laser monitor photodiode current. Accuracy is better than  $\pm 3$ dB over specified temperature and voltage. Data is not valid when the transmitter is disabled.

**Transceiver RX received optical power**, internally measured, represented as a 16 bit unsigned integer with the power defined as the full 16 bit 35 value (0 – 65535) with LSB equal to 0.1  $\mu$ W. Accuracy is better than  $\pm 3$ dB over specified temperature and voltage.

### Mechanical Specifications



unit:millimeter



**ALL DIMENSIONS ARE ±0.2mm UNLESS OTHERWISE SPECIFIED UNIT: mm**

## **About AddOn Networks**

In 1999, AddOn Networks entered the market with a single product. Our founders fulfilled a severe shortage for compatible, cost-effective optical transceivers that compete at the same performance levels as leading OEM manufacturers. Adhering to the idea of redefining service and product quality not previously had in the fiber optic networking industry, AddOn invested resources in solution design, production, fulfillment, and global support.

Combining one of the most extensive and stringent testing processes in the industry, an exceptional free tech support center, and a consistent roll-out of innovative technologies, AddOn has continually set industry standards of quality and reliability throughout its history.

Reliability is the cornerstone of any optical fiber network and is engrained in AddOn's DNA. It has played a key role in nurturing the long-term relationships developed over the years with customers. AddOn remains committed to exceeding industry standards with certifications from ranging from NEBS Level 3 to ISO 9001:2005 with every new development while maintaining the signature reliability of its products.

## **U.S. Headquarters**

Email: [sales@addonnetworks.com](mailto:sales@addonnetworks.com)

Telephone: +1 877.292.1701

Fax: 949.266.9273

## **Europe Headquarters**

Email: [salesupportemea@addonnetworks.com](mailto:salesupportemea@addonnetworks.com)

Telephone: +44 1285 842070