

02311YNR-AO

Huawei® 02311YNR Compatible TAA Compliant 50GBase-LR QSFP28 Single Lambda Transceiver (SMF, 1310nm, 10km, LC, DOM, with FEC)

Features:

- QSFP28 MSA compliant
- Hot pluggable 38 pin electrical interface
- 1x50G PAM4 CWDM transmitter
- 26.5625 Gbit/s Channel Electrical Serial Interface (50GAUI-2)
- Maximum power consumption 3.5W
- LC duplex connector
- Supports 53.125Gb/s aggregate bit rate
- Up to 10km transmission on single mode fiber
- Operating case temperature: 0°C to 70°C
- Single 3.3V power supply
- RoHS 2.0 compliant



Applications:

- 50GBASE-LR
- Telecom networking

Product Description

This Huawei® 02311YNR compatible QSFP28 transceiver provides 50GBase-LR throughput up to 10km over single-mode fiber (SMF) using a wavelength of 1310nm via an LC connector. It is guaranteed to be 100% compatible with the equivalent Huawei® compatible transceiver. This easy to install, hot swappable transceiver has been programmed, uniquely serialized and data-traffic and application tested to ensure that it will initialize and perform identically. Digital optical monitoring (DOM) support is also present to allow access to real-time operating parameters. This transceiver is Trade Agreements Act (TAA) compliant. We stand behind the quality of our products and proudly offer a limited lifetime warranty.

AddOn's Transceivers are RoHS compliant and lead-free.

TAA refers to the Trade Agreements Act (19 U.S.C. & 2501-2581), which is intended to foster fair and open international trade. TAA requires that the U.S. Government may acquire only "U.S. – made or designated country end products."



Regulatory Compliance

- ESD to the Electrical PINs: compatible with MIL-STD-883E Method 3015.4
- ESD to the LC Receptacle: compatible with IEC/EN 61000-4-3
- EMI/EMC compatible with FCC Part 15 Subpart B Rules, EN55032
- Laser Eye Safety compatible with FDA 21CFR, EN60950-1& EN (IEC) 60825-1,2
- RoHS compliant with EU RoHS 2.0 directive 2015/863/EU

Absolute Maximum Ratings

Parameter	Symbol	Min.	Typ.	Max.	Unit	Notes
Maximum Supply Voltage	Vcc	0		3.6	V	
Storage Temperature	TS	-40		85	°C	
Operating Case Temperature	Tc	0		70	°C	
Relative Humidity	RH	10		85	%	1
Data Rate			26.5625		GBd	
Aggregated Data Rate			53.125		Gbps	2
Damage Threshold	THd	5.2			dBm	
Link Distance with G.652				10	km	

Notes:

1. Non-condensing
2. IEEE 802.3cd-2018

Electrical Characteristics

Parameter	Symbol	Min.	Typ.	Max.	Unit	Notes
Supply Voltage	V _{CC}	3.135	3.3	3.465	V	
Supply Current	I _{CC}			1.0101	A	1
Power dissipation	P _{DISS}			3.5	W	
Transmitter						2
Data Rate			26.5625		Gbps	
Differential Voltage pk-pk	V _{pp}			900	mV	
Common Mode Noise, RMS	V _{rms}			17.5	mV	
Differential Termination Resistance Mismatch				10	%	At 1 MHz
Transition time	T _{rise} /T _{fall}	10			ps	20%~80%
Eye width	EW ₁₅	0.46			UI	
Eye height	EH ₁₅	95			mV	
Receiver						3
Data Rate			26.5625		Gbps	
Differential Voltage pk-pk	V _{pp}			900	mV	
Common Mode Voltage	V _{cm}	-350		2850	mV	
Common Mode Noise, RMS	V _{rms}			17.5	mV	
Transition time	T _{rise} /T _{fall}	9.5			ps	20%~80%
Vertical Eye Closure (VEC)				5.5	dB	
Eye width	EW ₁₅	0.57			UI	
Eye height	EH ₁₅	228			mV	

Notes:

1. Maximum total power value is specified across the full temperature and voltage range.
2. Refer to OIF-CEI-03.1, CEI-28G-VSR Interface 13.3.2.
3. Refer to OIF-CEI-03.1, CEI-28G-VSR Interface 13.3.3.

Optical Characteristics

Parameter	Min.	Typ.	Max.	Unit	Notes
Transmitter					1
Signaling Speed	26.5625 ± 100 ppm			Gb/s	
Transmit wavelengths	1304.5		1317.5	nm	
Side-Mode Suppression Ratio (SMSR)	30			dB	
Average Launch Power	-4.5		4.2	dBm	
Outer Optical Modulation Amplitude, (OMA _{outer})	-1.5		4	dBm	
Launch power in OMA _{outer} minus TDECQ	-2.9			dBm	
Transmitter and dispersion eye closure for PAM4 (TDECQ), each lane			3.2	dB	
Average launch power of OFF transmitter			-16	dBm	
Extinction Ratio (ER)	3.5			dB	
Transmitter reflectance			-26	dB	
Receiver					1
Signaling Speed	26.5625 ± 100 ppm			Gb/s	
Receive wavelengths	1304.5		1317.5	nm	
Average receiver power	-10.8		4.2	dBm	
Receiver power (OMA _{outer})			4	dBm	
Receiver sensitivity (OMA _{outer})			RS	dBm	2
Stressed receiver sensitivity (OMA _{outer})			-6.6	dBm	
LOS Assert	-30			dBm	
LOS Deassert			-11	dBm	
LOS Hysteresis	0.5			dB	
Receiver Reflectance			-26	dB	
Conditions of stressed receiver sensitivity test:					
Stressed eye closure for PAM4 (SECQ)		3.2		dB	2
SECQ-10log ₁₀ (C _{eq})			3.2	dBm	2

Notes:

1. Refer to IEEE P802.3cd
2. RS=max(-8.4, SECQ-9.8) (dBm). For the requirement of receiver sensitivity, the value of BER is 2e-4 before FEC.

Pin Descriptions

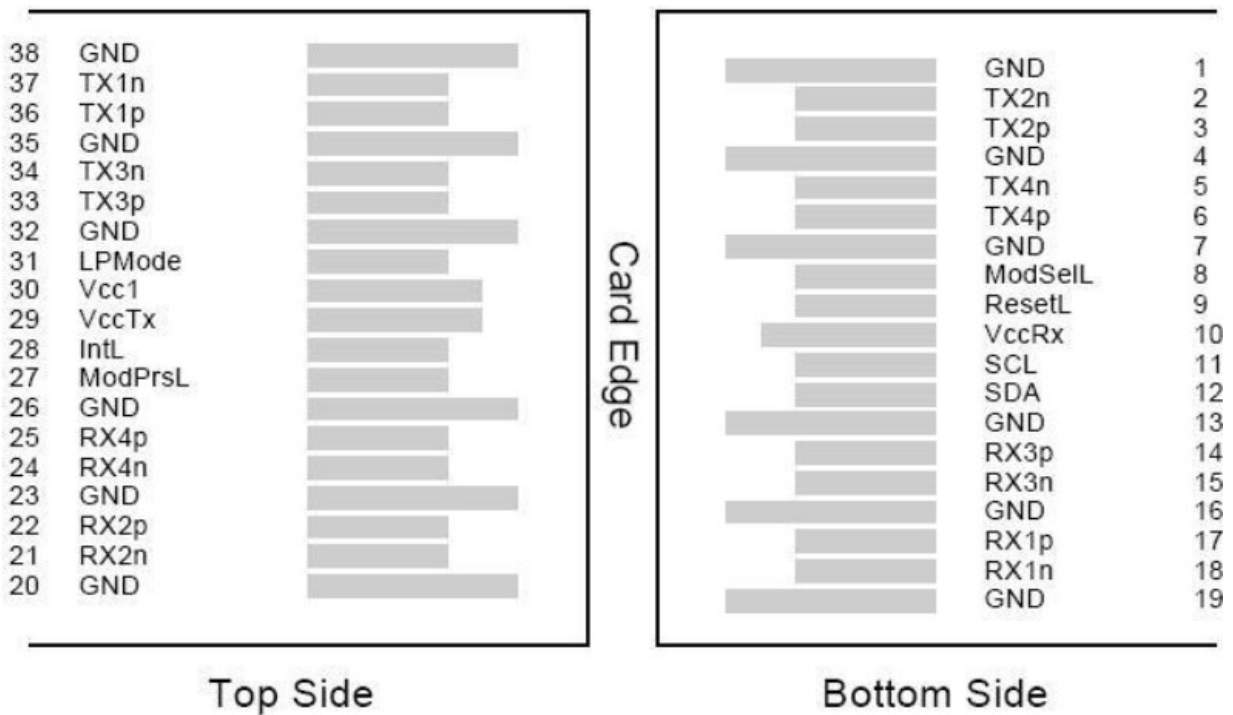
Pin	Symbol	Name/Descriptions	Ref.
1	GND	Transmitter Ground (Common with Receiver Ground)	1
2	Tx2-	Transmitter Inverted Data Input	
3	Tx2+	Transmitter Non-Inverted Data output	
4	GND	Transmitter Ground (Common with Receiver Ground)	1
5	Tx4-	Transmitter Inverted Data Input	
6	Tx4+	Transmitter Non-Inverted Data output	
7	GND	Transmitter Ground (Common with Receiver Ground)	1
8	ModSelL	Module Select	2
9	ResetL	Module Reset	2
10	VccRx	3.3V Power Supply Receiver	
11	SCL	2-Wire serial Interface Clock	2
12	SDA	2-Wire serial Interface Data	2
13	GND	Transmitter Ground (Common with Receiver Ground)	1
14	Rx3+	Receiver Non-Inverted Data Output	
15	Rx3-	Receiver Inverted Data Output	
16	GND	Transmitter Ground (Common with Receiver Ground)	1
17	Rx1+	Receiver Non-Inverted Data Output	
18	Rx1-	Receiver Inverted Data Output	
19	GND	Transmitter Ground (Common with Receiver Ground)	1
20	GND	Transmitter Ground (Common with Receiver Ground)	1
21	Rx2-	Receiver Inverted Data Output	
22	Rx2+	Receiver Non-Inverted Data Output	
23	GND	Transmitter Ground (Common with Receiver Ground)	1
24	Rx4-	Receiver Inverted Data Output	1
25	Rx4+	Receiver Non-Inverted Data Output	
26	GND	Transmitter Ground (Common with Receiver Ground)	1
27	ModPrsl	Module Present	
28	IntL	Interrupt	2
29	VccTx	3.3V power supply transmitter	
30	Vcc1	3.3V power supply	
31	LPMODE	Low Power Mode	2
32	GND	Transmitter Ground (Common with Receiver Ground)	1
33	Tx3+	Transmitter Non-Inverted Data Input	
34	Tx3-	Transmitter Inverted Data Output	

35	GND	Transmitter Ground (Common with Receiver Ground)	1
36	Tx1+	Transmitter Non-Inverted Data Input	
37	Tx1-	Transmitter Inverted Data Output	
38	GND	Transmitter Ground (Common with Receiver Ground)	1

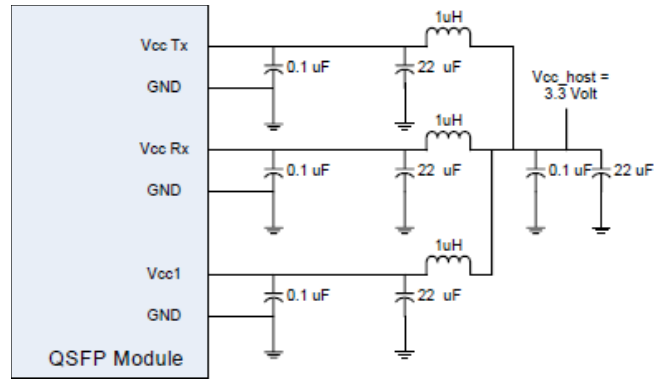
Notes:

1. The module signal grounds are isolated from the module case.
2. This is an open collector/drain output that on the host board requires a 4.7KΩ to 10KΩ pull-up resistor to VccHost.

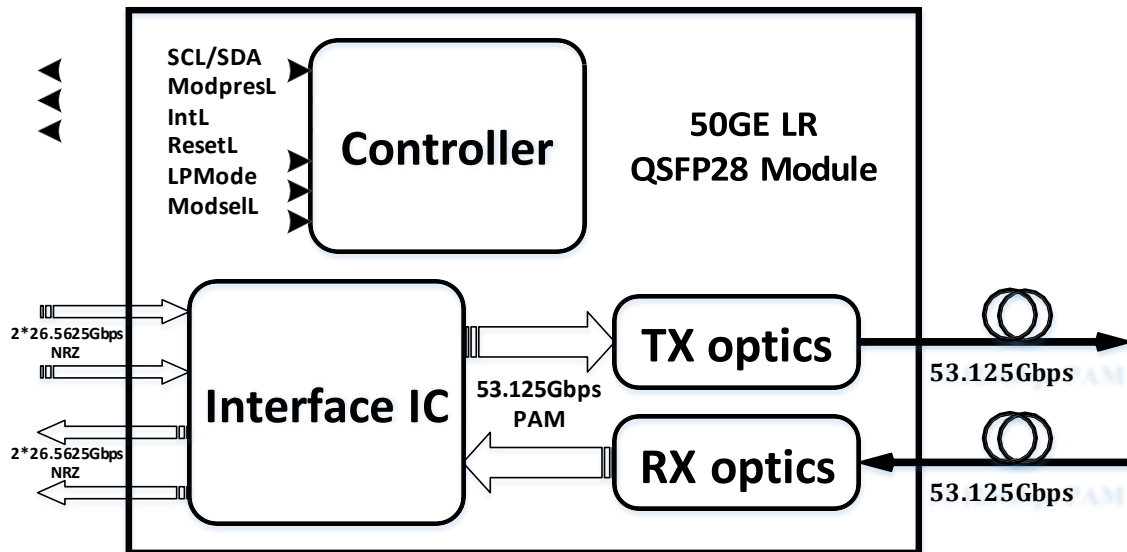
Electrical Pin-out Details



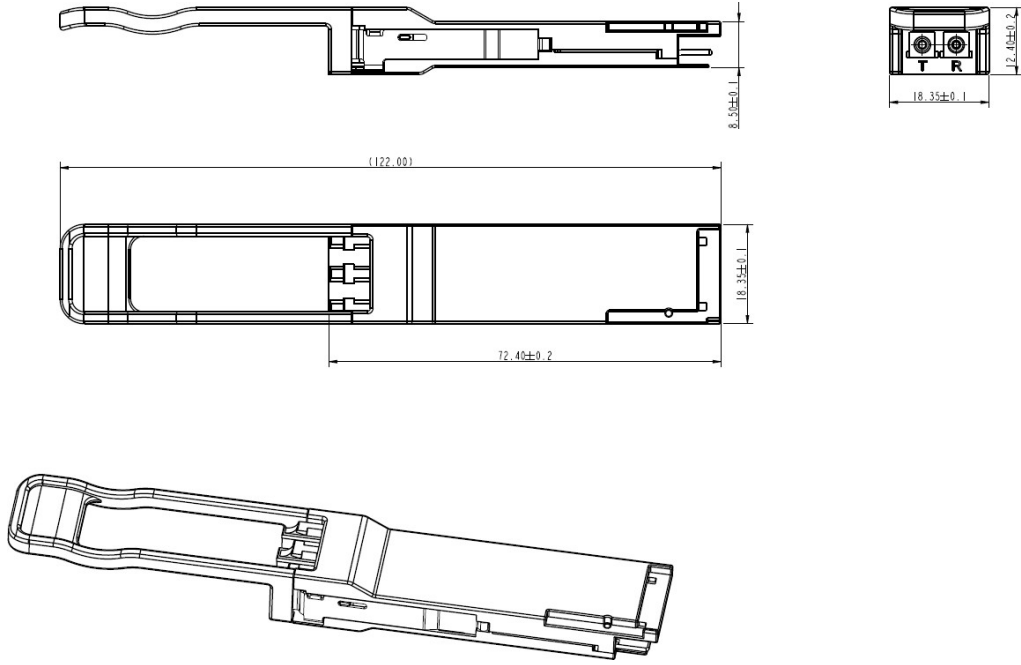
Recommended Host Board Power Supply Filter Network



Transceiver Block Diagram



Mechanical Specifications



About AddOn Networks

In 1999, AddOn Networks entered the market with a single product. Our founders fulfilled a severe shortage for compatible, cost-effective optical transceivers that compete at the same performance levels as leading OEM manufacturers. Adhering to the idea of redefining service and product quality not previously had in the fiber optic networking industry, AddOn invested resources in solution design, production, fulfillment, and global support.

Combining one of the most extensive and stringent testing processes in the industry, an exceptional free tech support center, and a consistent roll-out of innovative technologies, AddOn has continually set industry standards of quality and reliability throughout its history.

Reliability is the cornerstone of any optical fiber network and is engrained in AddOn's DNA. It has played a key role in nurturing the long-term relationships developed over the years with customers. AddOn remains committed to exceeding industry standards with certifications from ranging from NEBS Level 3 to ISO 9001:2005 with every new development while maintaining the signature reliability of its products.

U.S. Headquarters

Email: sales@addonnetworks.com

Telephone: +1 877.292.1701

Fax: 949.266.9273

Europe Headquarters

Email: salesupportemea@addonnetworks.com

Telephone: +44 1285 842070